

OHIOSTEEL INDUSTRIES **PROFESSIONAL GRADE**



4048P-ATV **12.5 cu ft POLY ATV DUMP CART**



**READ AND FOLLOW ALL SAFETY RULES AND OPERATING
INSTRUCTIONS BEFORE USING THIS EQUIPMENT**

Safety Rules



This is the safety alert symbol. It is used to alert you to potential personal injury hazards. Obey all safety messages that follow this symbol to avoid possible injury or death.

Read and understand all safety rules and operating instructions before using this ATV/UTV attachment.

Follow all safety rules and operating instructions provided by your vehicle's manufacturer when using attachment.

Never allow children or untrained persons to operate vehicle or attachment.

Do not exceed the vehicle manufacturer's towed weight limit.

Reduce vehicle speed and allow extra stopping distance when towing heavy loads.

Reduce vehicle speed and towed weight when operating on slopes.

Operate up and down slopes, never across the face of slopes.

Do not carry passengers on vehicle or attachment.

Avoid sudden turns or maneuvers.

Do not tow attachment on public roadways.

Do not remove warning decals from product.

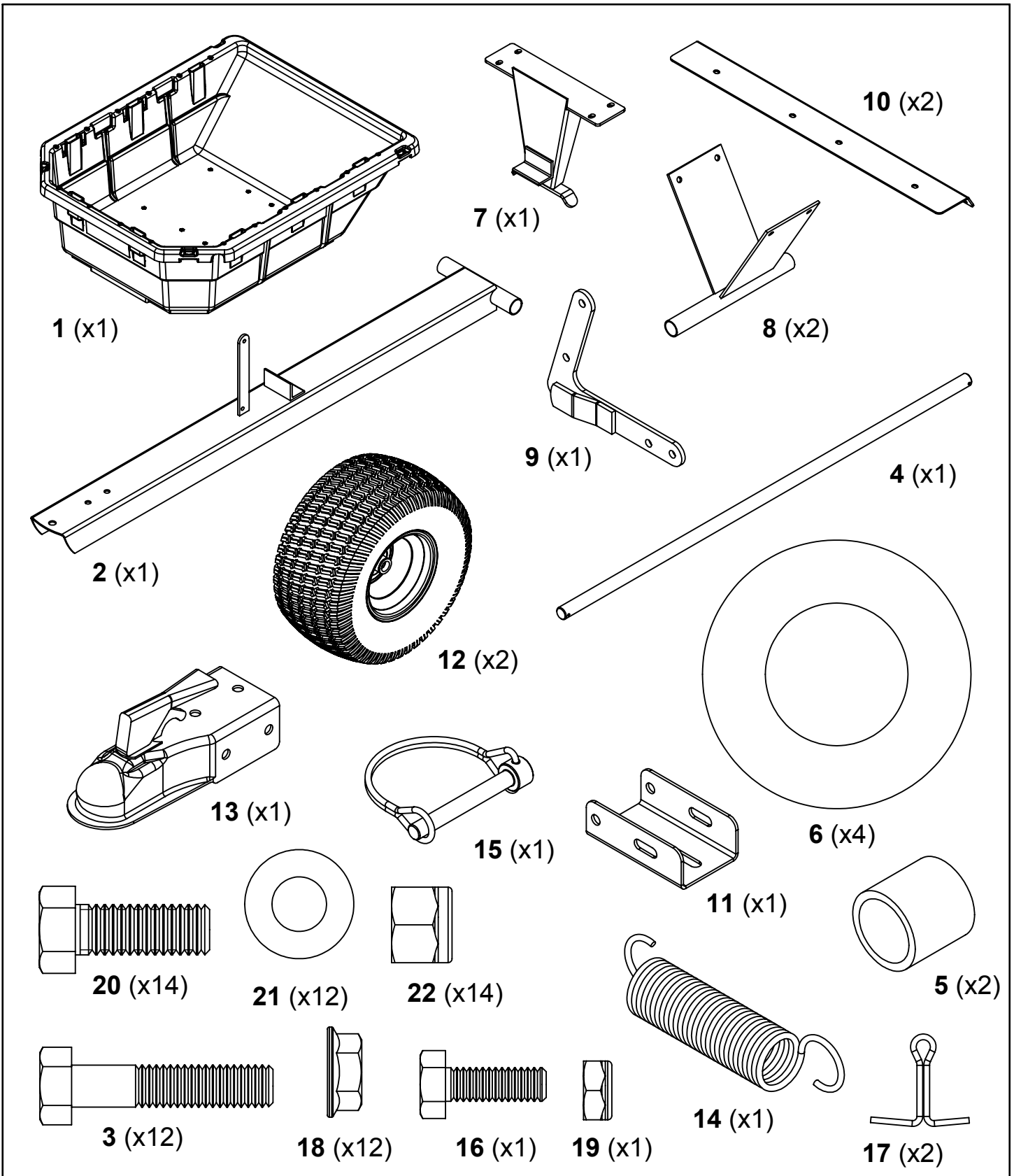
Check product for worn, loose, or damaged parts before each use. If any damage is present, repair the product before using.

Check product for loose or missing fasteners before each use. Tighten or replace fasteners as needed before using.

Do not exceed vehicle speed of 20 miles per hour when towing Dump Cart.

Do not exceed Dump Cart rated weight capacity of 1250 pounds.

Carton Contents



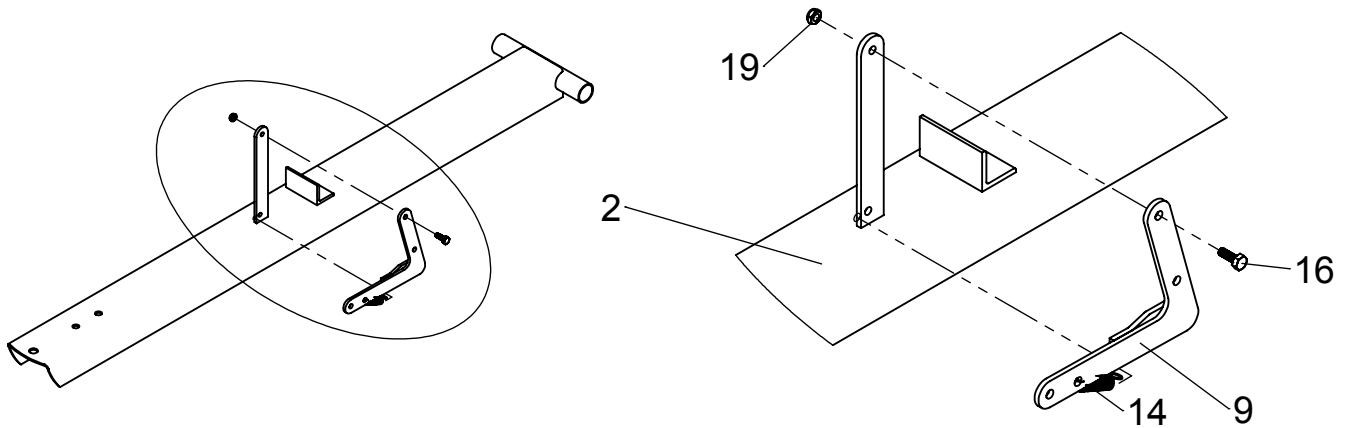
TOOLS REQUIRED FOR ASSEMBLY:

- 1/2" Wrench and Socket
- 9/16" Wrench and Socket
- 7/16" Wrench and Socket
- Needle-Nose Pliers
- Grease Gun

Assembly Instructions

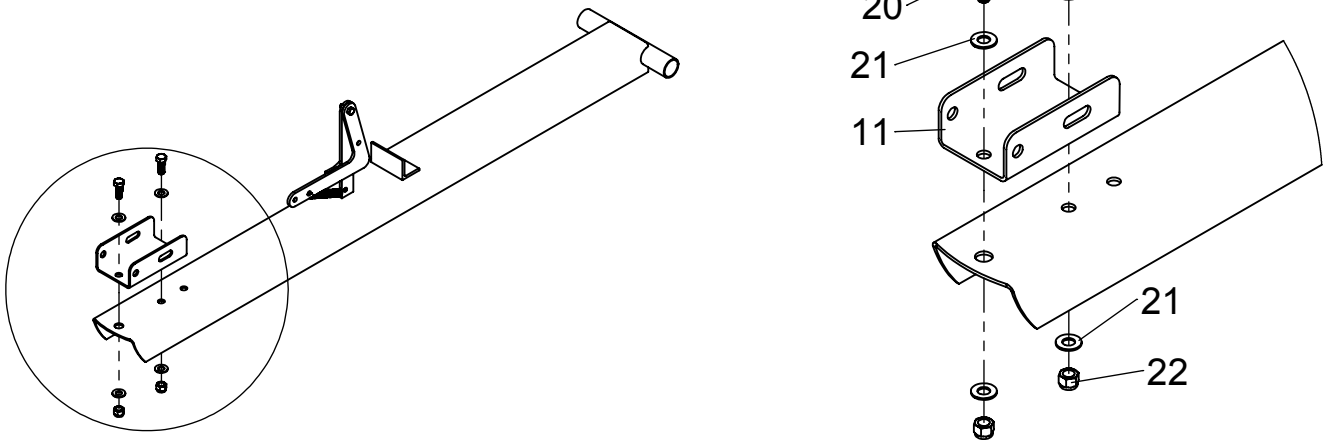
1

Attach latch to latch post and assemble latch mechanism using hardware as shown.



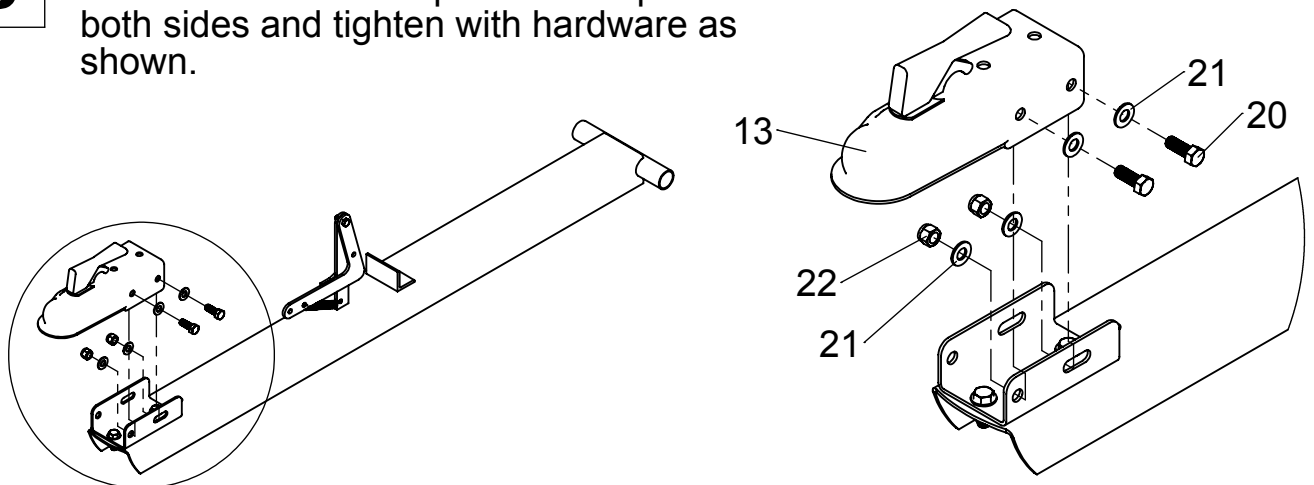
2

Attach hitch coupler plate to drawbar and tighten with hardware as shown.



3

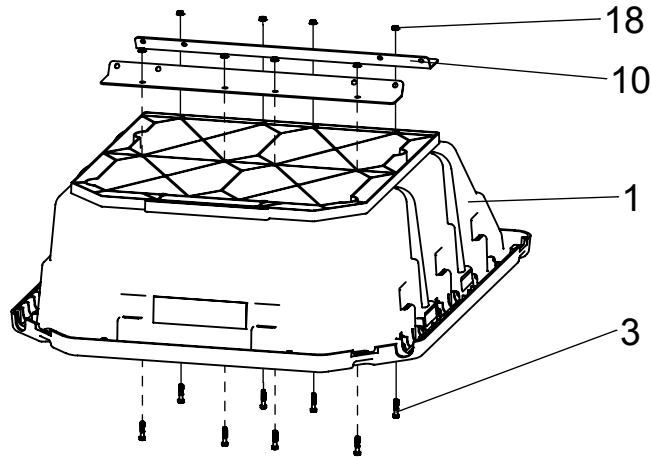
Attach 1-7/8" ball coupler to hitch plate on both sides and tighten with hardware as shown.



Assembly Instructions

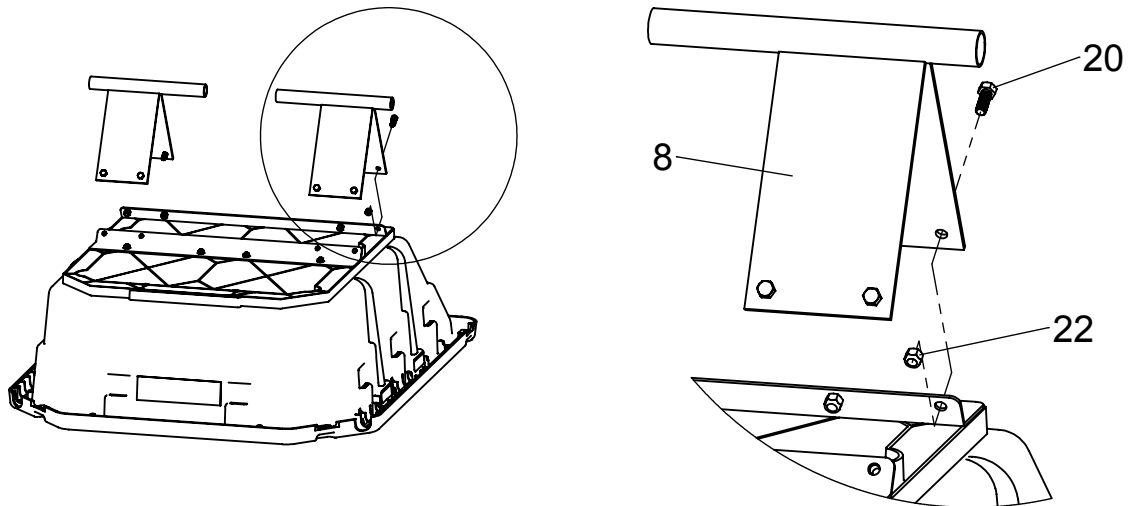
4

Attach axle supports to poly body loosely with hardware as shown.



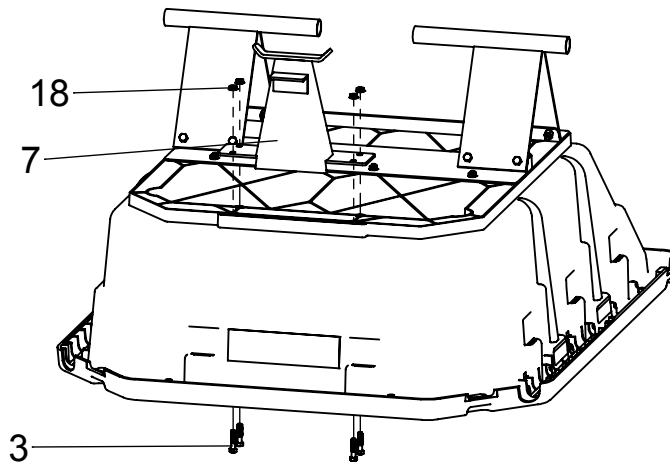
5

Attach axle holder assemblies to supports loosely with hardware as shown.



6

Attach front support loosely to poly body with hardware as shown.

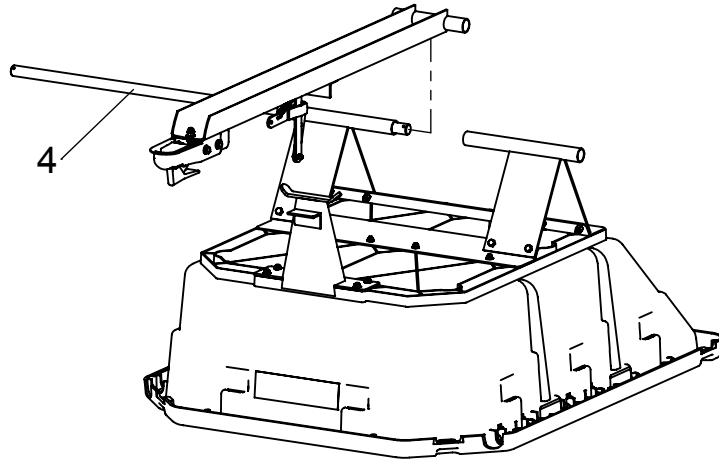


Assembly Instructions

7

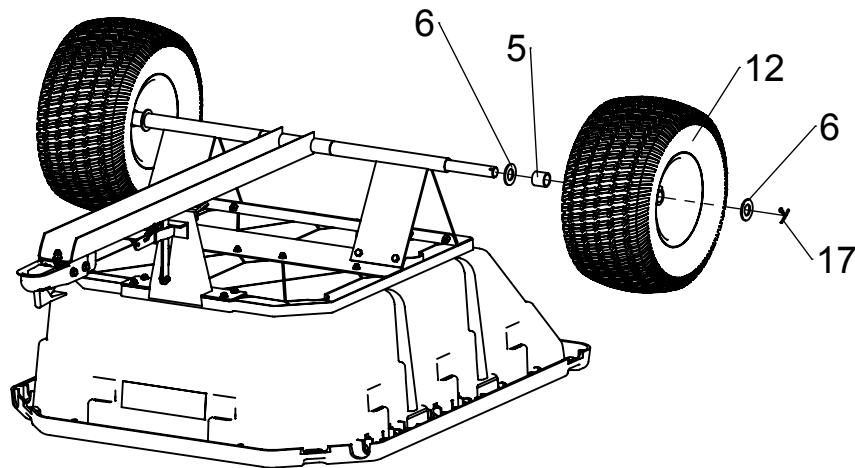
Slide axle all the way through axle holders and drawbar assembly then latch to front support.

*** BE SURE TO
TIGHTEN ALL
HARDWARE
AT THIS TIME**



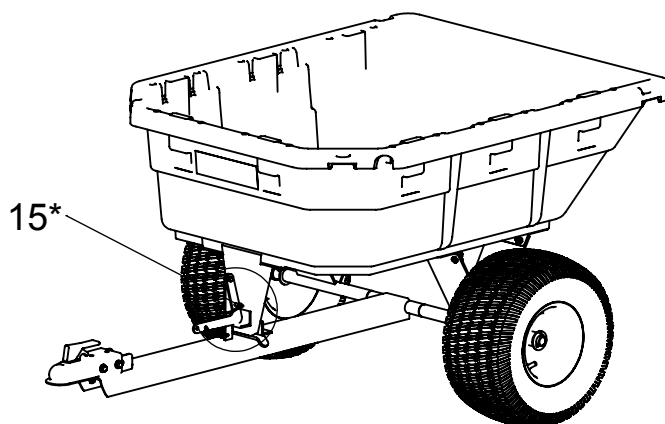
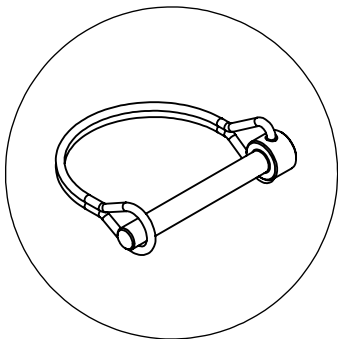
8

Slide washer, spacer, wheel, spacer onto axle and secure with cotter pins as shown.



9

Use optional locking pin to secure dump action when desired.



Operating Instructions

Before Using Dump Cart:

1. Apply lithium grease to wheels using grease gun until grease can be seen squeezing out from both sides of the wheel.
2. Check tire pressure and inflate to 24 psi if needed.
3. Read all Safety Rules found on page 1.

How to Use Dump Cart:

4. Attach Dump Cart to your ATV or UTV.
5. Do not exceed 1250 pounds when loading material into the cart body.
6. Distribute the weight of the load as evenly as possible in the cart body for best handling.
7. When hauling heavy loads, verify that your vehicle has adequate towing and braking capacity.
8. Do not exceed 20 miles per hour when towing Dump Cart.

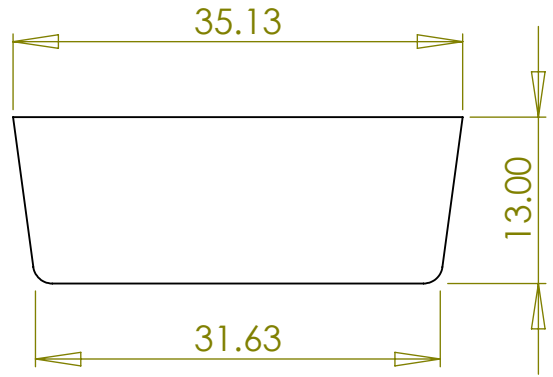
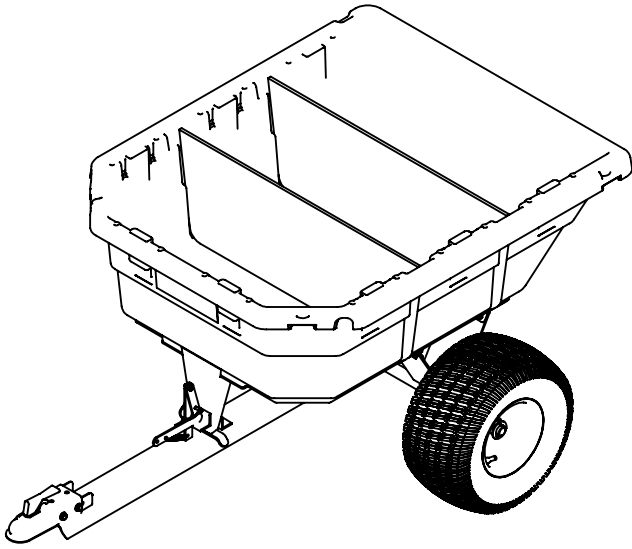
How to Empty Dump Cart:

9. Pull hand lever up to release the latch mechanism.
10. Lower the body and guide the latch into the drawbar and relatch.

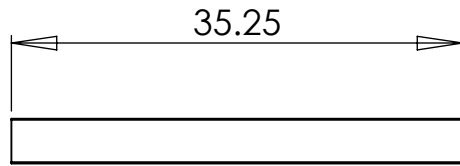
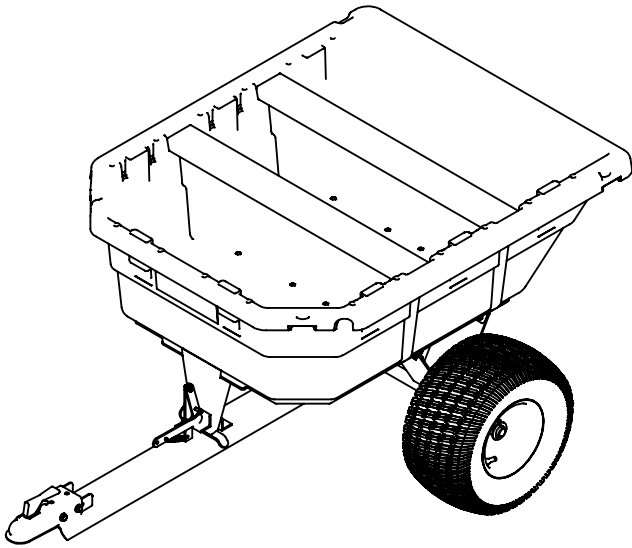
Periodic Maintenance:

- Tighten fasteners as needed before each use
- Check tire pressure before each use
- Grease wheels annually

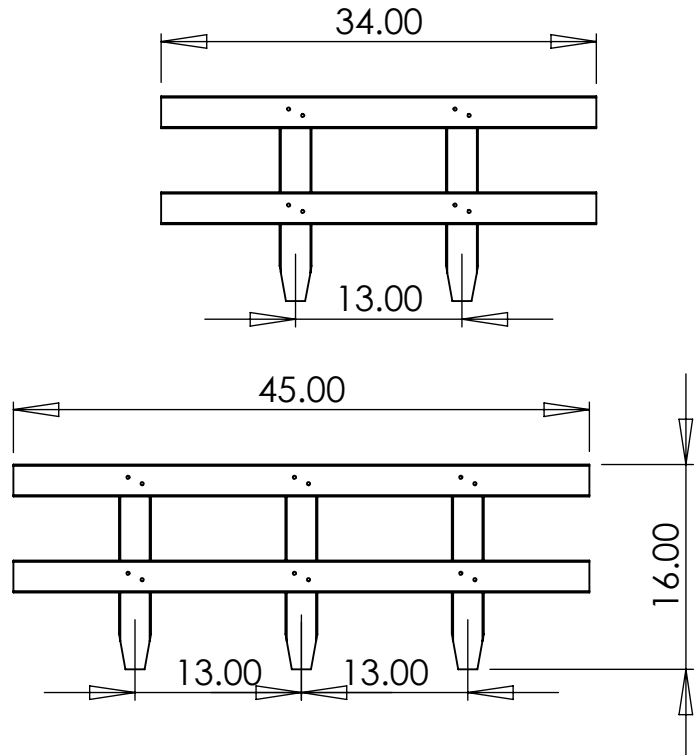
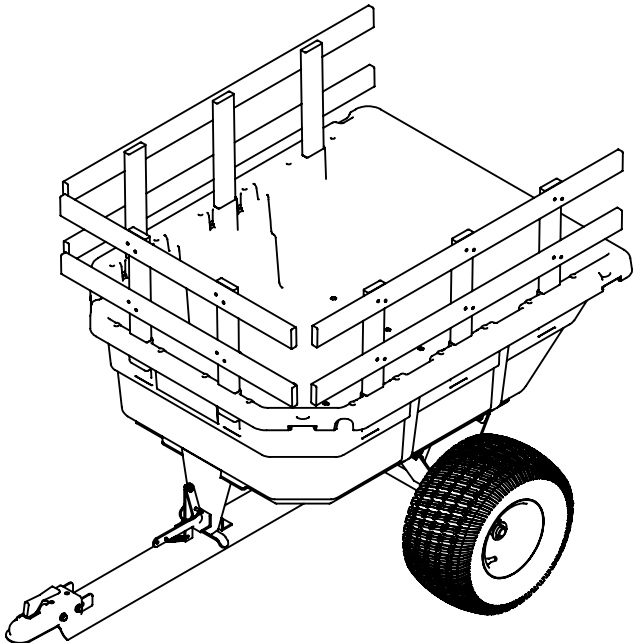
Do-It-Yourself Accessories



USE 1/2" PLYWOOD



USE STANDARD 2 X 4



USE NOMINAL GRADE C 1 X 3

Warranty

If this product fails due to a defect in material or workmanship within TWO YEARS from the date of purchase, we will at our option repair or replace it free of charge. This warranty excludes tires and wheels, which are expendable and become worn during normal use.

This warranty does not cover:

- Repairs necessary because of operator abuse or negligence.
- Equipment used for commercial or rental purposes.
- Paint that is worn or faded due to normal use or exposure.

To arrange for product repair call 1-800-652-2321, or return this product to place of purchase for replacement.

This warranty gives you specific legal rights, and you may also have other rights which may vary from state to state. This warranty applies only while this product is in use in the United States.

In the space below record the purchase date of your Dump Cart.

Model Number **4048P-ATV** _____

Purchase Date _____

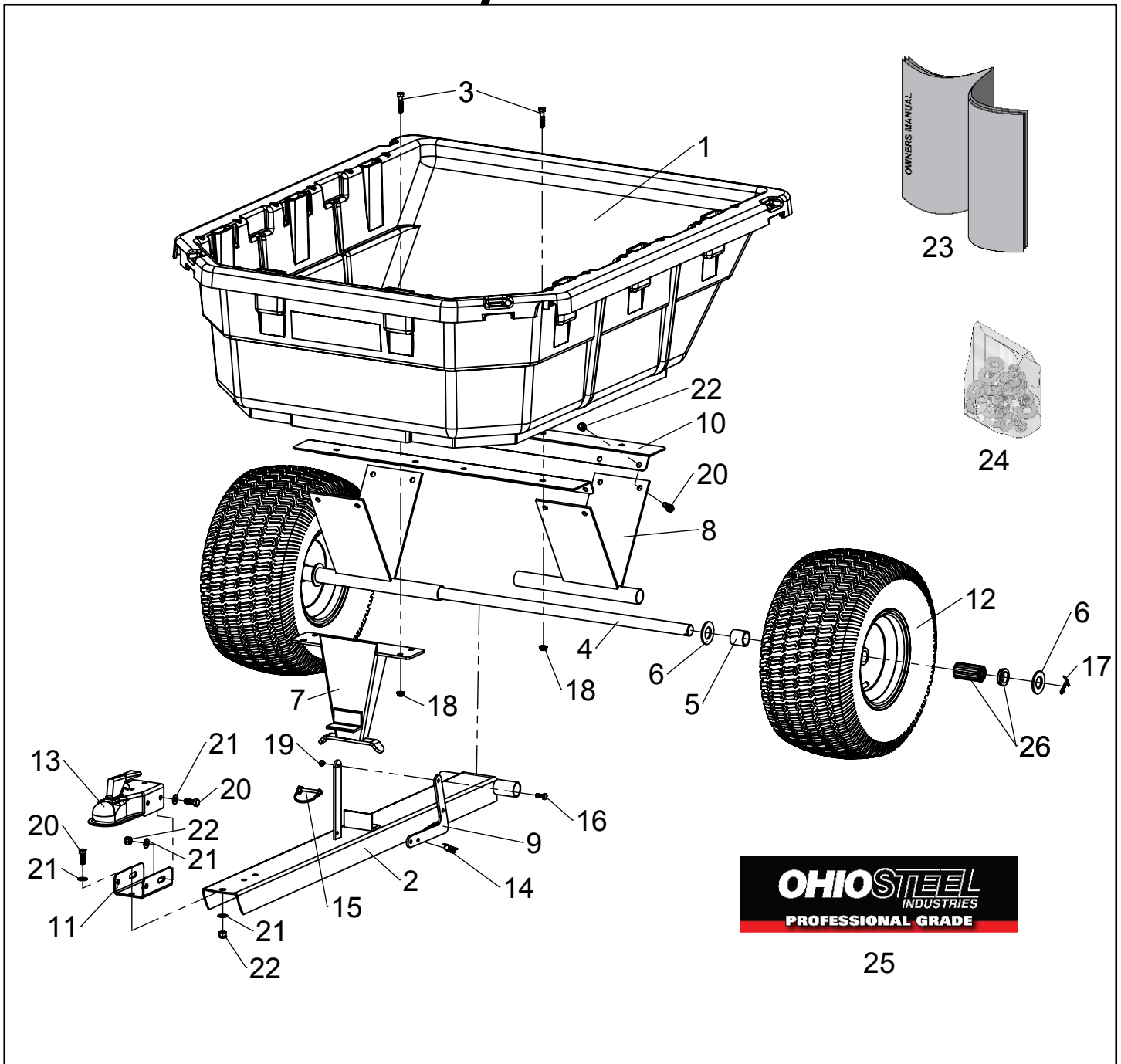
Keep this Owner's Manual and your receipt in a safe place for future reference.

After the two year warranty period all replacement parts may be ordered by calling **1-800-652-2321**.

When ordering replacement parts, always give the following information:

- Product **12.5 cu ft POLY ATV DUMP CART** _____
- Model Number **4048P-ATV** _____
- Part Number _____
- Part Description _____

Repair Parts



ITEM	PART NO	DESCRIPTION	QTY	ITEM	PART NO	DESCRIPTION	QTY
1	311161	POLY BODY	1	14	300132	LATCH SPRING	1
2	521011	DRAWBAR ASSEMBLY	1	15	3000815	LOCKING PIN	1
3	6000562	5/16-18x1-1/2" HEX HEAD BOLT	12	16	6000420	1/4-20x3/4" HEX HEAD BOLT	1
4	321001	AXLE 1"	1	17	300087	COTTER PIN	2
5	6000563	SPACER 1"x1.25"	2	18	6000418	5/16-18 SPINNER GRIP NUT	12
6	300076	1" SAE WASHER	4	19	300065	1/4-20 NYLOC NUT	1
7	521021	FRONT SUPPORT ASSEMBLY	1	20	3000511	3/8-16x1" HEX HEAD BOLT	14
8	521051	AXLE HOLDER ASSEMBLY	2	21	300077	3/8" SAE WASHER	12
9	519031	LATCH ASSEMBLY	1	22	3000618	3/8-16 NYLOC NUT	14
10	421171	AXLE SUPPORT	2	23	321041	OWNERS MANUAL	1
11	421181	HITCH COUPLER PLATE	1	24	321031	HARDWARE BOLT BAG	1
12	6000727	WHEEL 18x9.50	2	25	6000162	DECAL, OSI PRO	1
13	308301	1-7/8" BALL COUPLER	1	26	6000818	KIT, 1" ATV BEARINGS (2 wheel set)	1

Notes

OHIO *STEEL*
INDUSTRIES

Designed And Tested In Columbus, Ohio

Manufactured In The U.S.A. From Domestic
And Imported Components



MODEL # 4048P-ATV

2575 Ferris Road Columbus, OH 43224
(800) 652-2321

www.OHIOSTEEL.com

(800) 652-2321