



AF-36TD

36" TINE DETHATCHER



READ AND FOLLOW ALL SAFETY RULES AND OPERATING INSTRUCTIONS BEFORE USING THIS EQUIPMENT

Safety Rules



This is the safety alert symbol. It is used to alert you to potential personal injury hazards. Obey all safety messages that follow this symbol to avoid possible injury or death.

Read and understand all safety rules and operating instructions before using this tractor attachment.

Follow all safety rules and operating instructions provided by your tractor's manufacturer when using attachment.

Never allow children or untrained persons to operate tractor or attachment.

Reduce tractor speed to slowest setting when towing or operating on slopes.

Operate up and down slopes, never across the face of slopes.

Do not carry passengers on tractor or attachment.

Avoid sudden turns or maneuvers.

Do not tow attachment on public roadways.

Do not remove warning decals from product.

Check product for worn, loose, or damaged parts before each use. If any damage is present, repair the product before using.

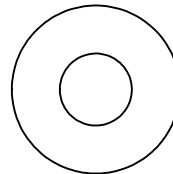
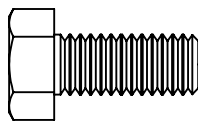
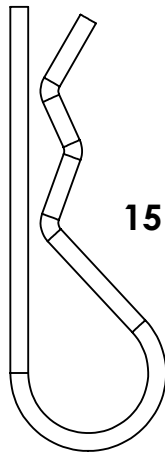
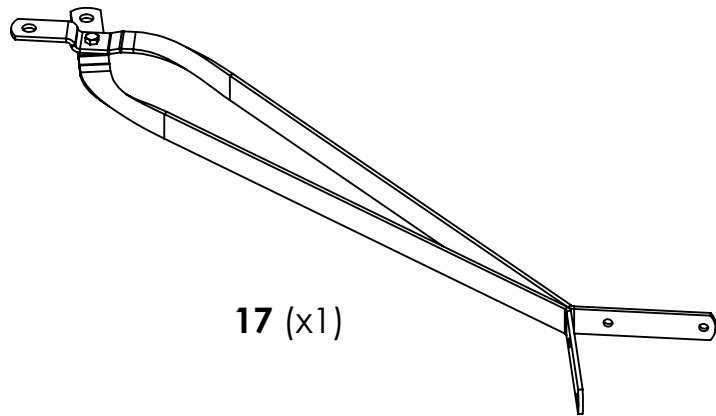
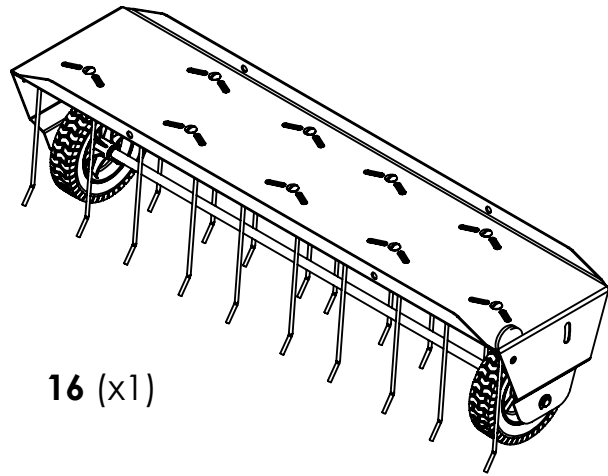
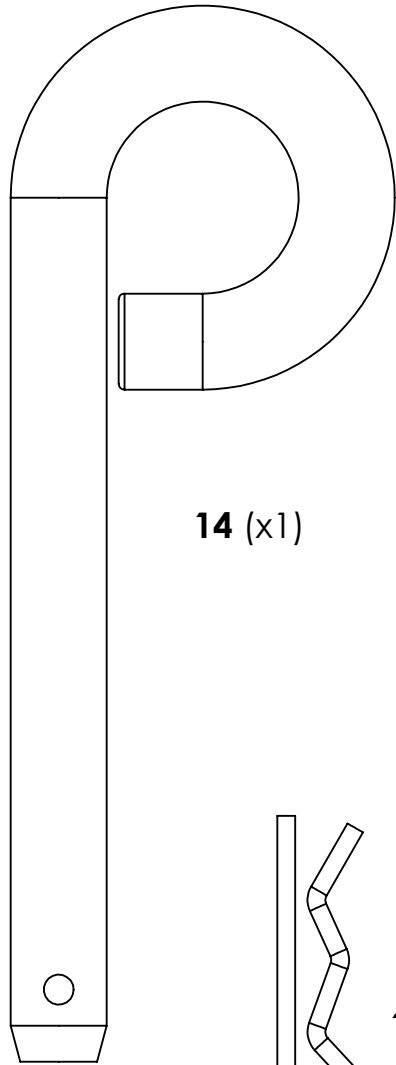
Check product for loose or missing fasteners before each use. Tighten or replace fasteners as needed before using.

Do not exceed tractor speed of 3 miles per hour when operating or towing Tine Dethatcher.

Tine Dethatcher has sharp points; always ***HANDLE WITH CARE.***

Always wear proper footwear and hand protection when operating or handling the Tine Dethatcher.

Carton Contents

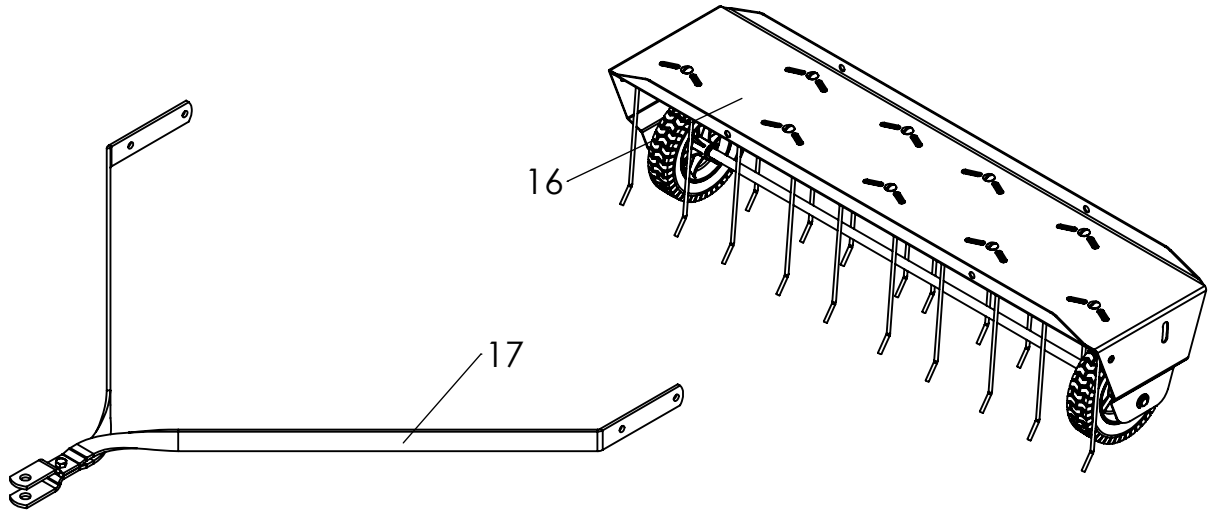


TOOLS REQUIRED FOR ASSEMBLY:

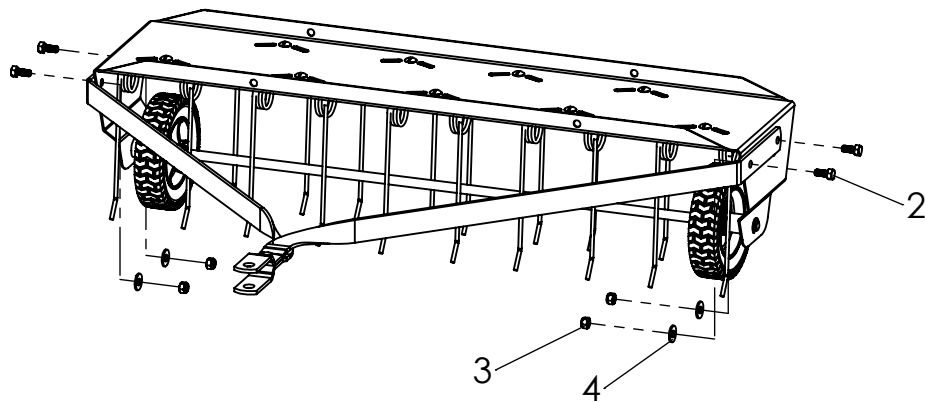
- 1/2" Wrench and Socket

Assembly Instructions

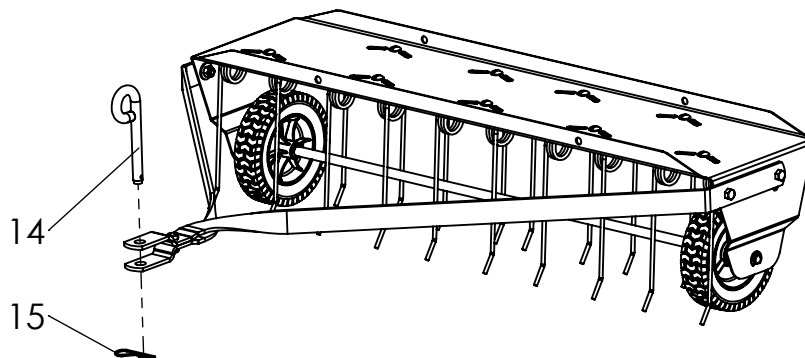
- 1** Unfold drawbar as shown.



- 2** Attach drawbar to body and tighten hardware as shown.



- 3** Install hitch pin (14) and secure to vehicle with supplied cotter pin (15) as shown.



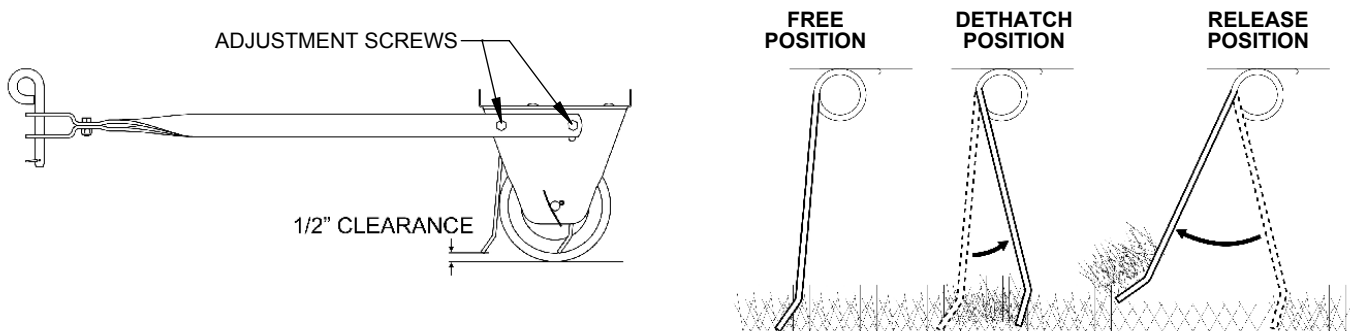
Operating Instructions

Before Using Tine Dethatcher:

1. Read all Safety Rules found on page 2.

How to Set Up Lawn Dethatcher:

1. On a hard level surface, attach Tine Dethatcher to tractor using supplied hitch pin.
2. Loosen all four bolts on the drawbar and rotate tray so it is level to the ground, retighten all hardware before resuming work.
3. Tines should all be roughly 1/2" above surface for optimum dethatching.



How to Dethatch Lawn:

1. Mow lawn and remove loose clippings. Grass should be less than 3" tall.
2. Do not dethatch lawn if ground is too wet or muddy.
3. Attach Tine Dethatcher to tractor using supplied hitch pin.
4. Engage tractor drive at its slowest speed and begin dethatching. Increase tractor speed as desired.
5. Dethatch in straight lines whenever possible and avoid sharp turns.
6. Up to two standard concrete blocks (80 lbs), or other weights, can be added to the tray to prevent bouncing. Always secure weights to top plate using bungee straps (not provided).

Periodic Maintenance:

- Tighten fasteners as needed before each use
- Keep Tine Dethatcher clean and dry to prevent rust
- Inspect for any damaged or loose hardware, replace as needed

Warranty

If this product fails due to a defect in material or workmanship within TWO YEARS from the date of purchase, we will at our option repair or replace it free of charge. This warranty excludes tires, wheels, springs and tines, which are expendable and become worn during normal use.

This warranty does not cover:

- Repairs necessary because of operator abuse or negligence.
- Equipment used for commercial or rental purposes.
- Paint that is worn or faded due to normal use or exposure.

To arrange for product repair call 1-800-652-2321, or return this product to place of purchase for replacement.

This warranty gives you specific legal rights, and you may also have other rights which may vary from state to state. This warranty applies only while this product is in use in the United States.

In the space below record the purchase date of your Lawn Aerator.

Model Number **AF-36TD** _____

Purchase Date _____

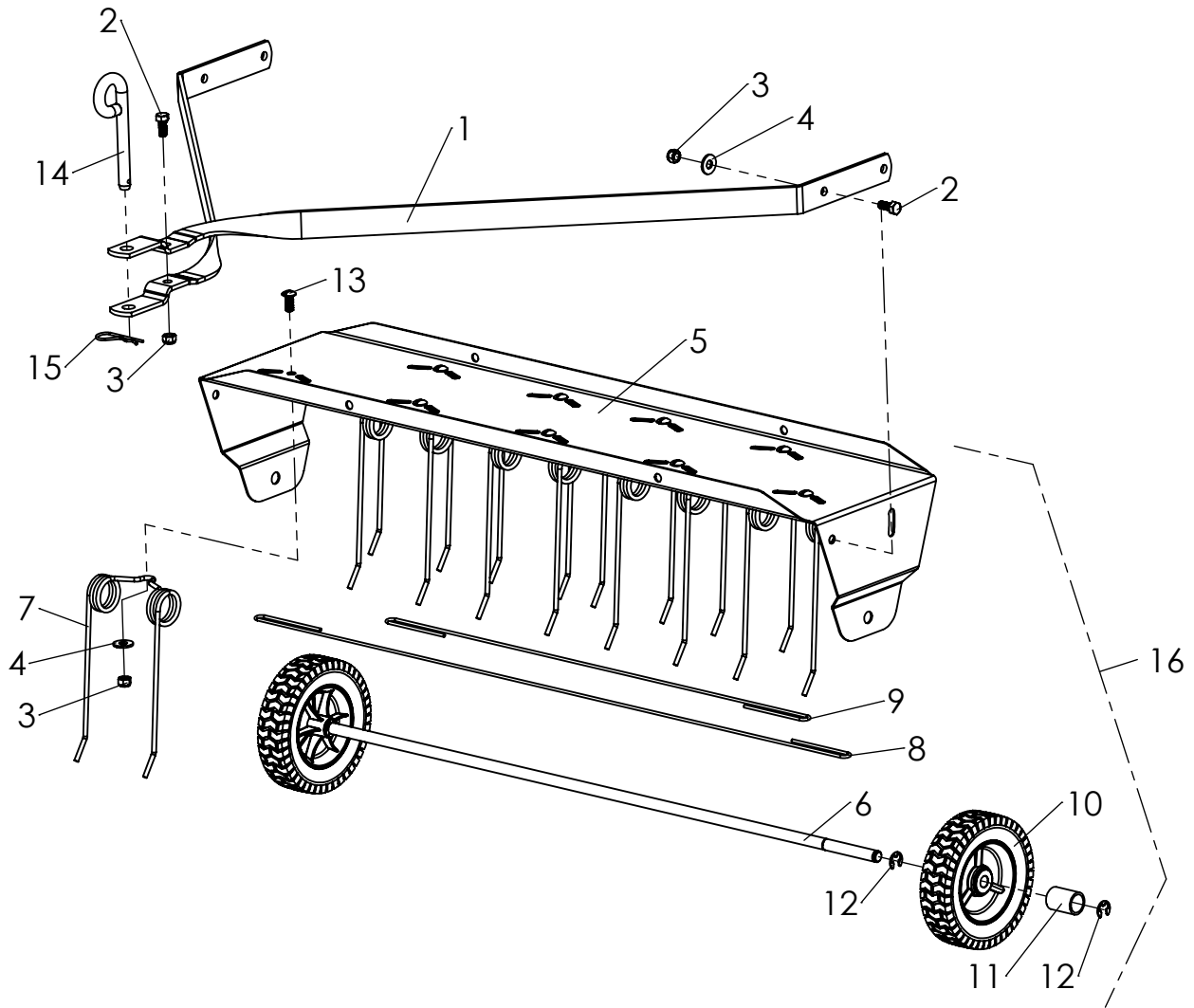
Keep this Owner's Manual and your receipt in a safe place for future reference.

After the two year warranty period all replacement parts may be ordered by calling **1-800-652-2321**.

When ordering replacement parts, always give the following information:

- Product **36" TINE DETHATCHER** _____
- Model Number **AF-36TD** _____
- Part Number _____
- Part Description _____

Repair Parts



ITEM	PART NO	DESCRIPTION	QTY
1	6000618-G	DRAWBAR, TWISTED	2
2	6000440	HEX HEAD BOLT, 5/16"-18 X 3/4"	5
3	3000616	HEX NUT, 5/16-18 NYLOC	13
4	3000711	WASHER, 5/16" USS	13
5	6000620	TRAY, FORMED	1
6	6000622	AXLE, 1/2" X 35.500"	1
7	6000630	TINE, DETHATCHER	9
8	6000655	WIRE, SAFETY	1
9	6000659	WIRE, SAFETY	1
10	6000658	WHEEL, 6 X 1.5	2
11	300126	SPACER, 3/4" X 1.375"	2
12	6000772	RETAINING RING, 1/2" EXT	4
13	300054	TRUSS HD SCREW, 5/16-18 X 3/4"	9
14	6000533	PIN, HITCH	1
15	300084	HAIRPIN COTTER, 0.093" X 2-5/16"	1
16	6000623	TRAY ASSEMBLY (incl. 3-13)	1

OHIO *STEEL*
INDUSTRIES

DESIGNED AND TESTED IN
COLUMBUS, OHIO

MANUFACTURED IN VIETNAM



7 16504 93621 8

MODEL # AF-36TD

(800) 652-2321