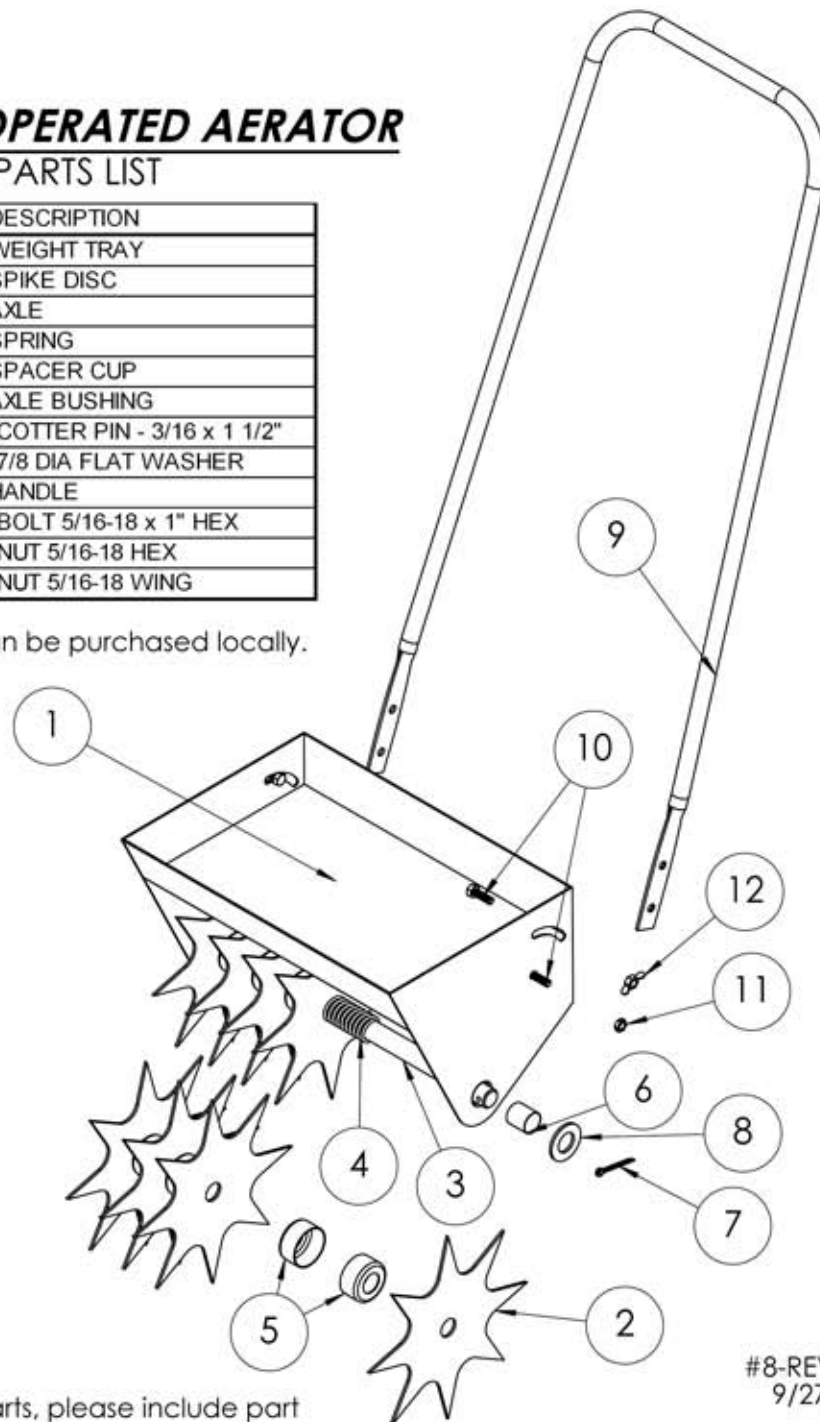


If there are any missing parts
please call 1-800-652-2321.

MODEL #8 HAND OPERATED AERATOR REPLACEMENT PARTS LIST

PART NO.	REF. NO.	AMOUNT	DESCRIPTION
8-1	1	1	WEIGHT TRAY
8-2	2	8	SPIKE DISC
8-3	3	1	AXLE
8-4	4	1	SPRING
8-5	5	12	SPACER CUP
8-6	6	2	AXLE BUSHING
8-7	7	2	*COTTER PIN - 3/16 x 1 1/2"
8-8	8	2	*7/8 DIA FLAT WASHER
8-9	9	1	HANDLE
8-10	10	4	*BOLT 5/16-18 x 1" HEX
8-11	11	2	*NUT 5/16-18 HEX
8-12	12	2	*NUT 5/16-18 WING

*Standard hardware items can be purchased locally.



#8-REV-N/C
9/27/01

When ordering replacement parts, please include part numbers and description.

16" SPIKE WIDTH
SHIPPING WEIGHT: 30#