

AF-1842 PR

18X42 LAWN POLY ROLLER



READ AND FOLLOW ALL SAFETY RULES AND OPERATING INSTRUCTIONS BEFORE USING THIS EQUIPMENT

Safety Rules



This is the safety alert symbol. It is used to alert you to potential personal injury hazards. Obey all safety messages that follow this symbol to avoid possible injury or death.

Read and understand all safety rules and operating instructions before using this tractor attachment.

Follow all safety rules and operating instructions provided by your tractor's manufacturer when using attachment.

Never allow children or untrained persons to operate vehicle or attachment.

Do not carry passenger on vehicle or attachment.

Avoid sudden turns or maneuvers.

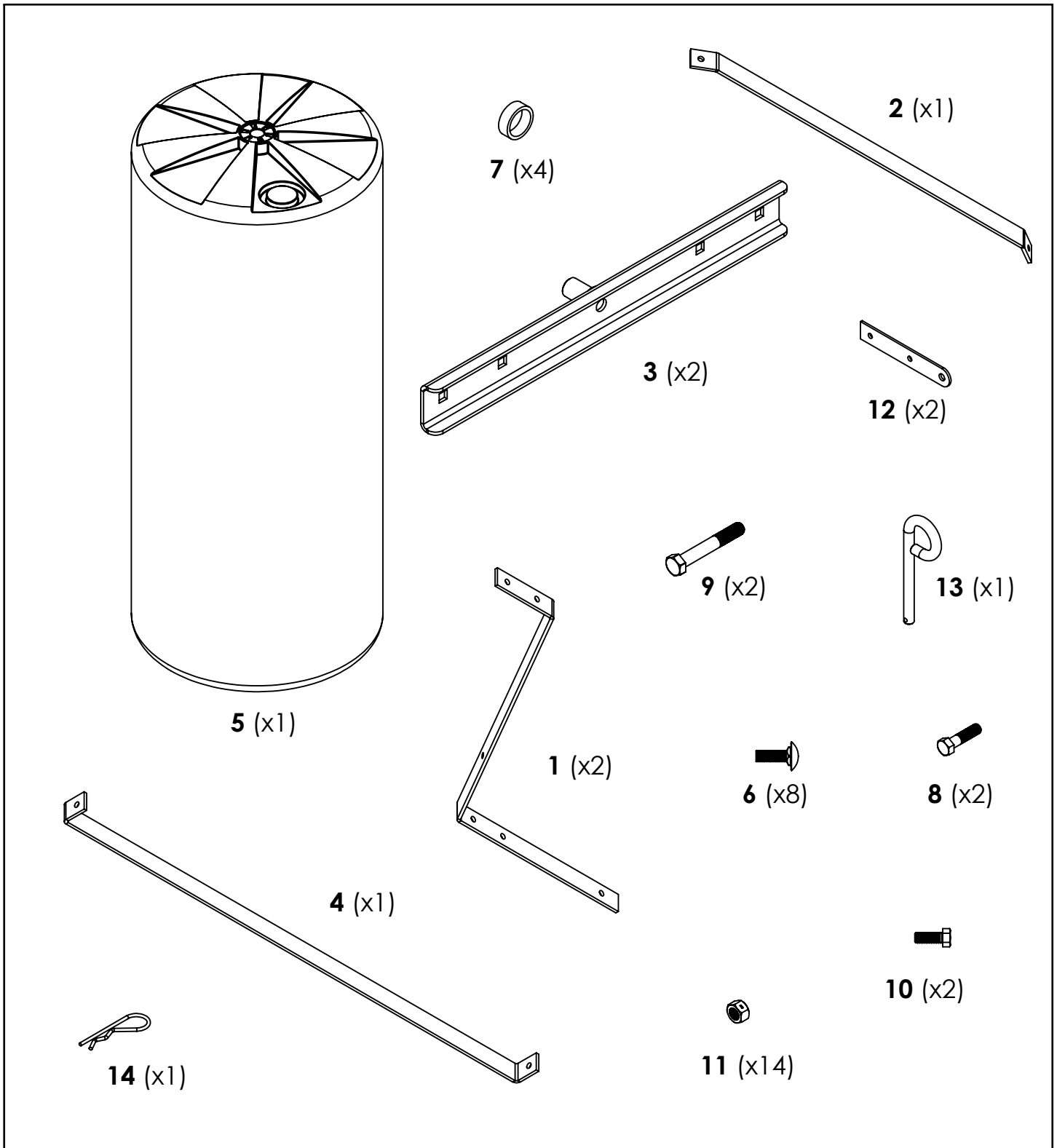
Do not remove warning decals from product.

Do not tow attachment on public roadways.

Check product for worn, loose or damaged parts before each use. If any damage is present, repair the product before using.

Check product for loose or missing fasteners before each use. Tighten or replace fasteners as needed before using.

Carton Contents

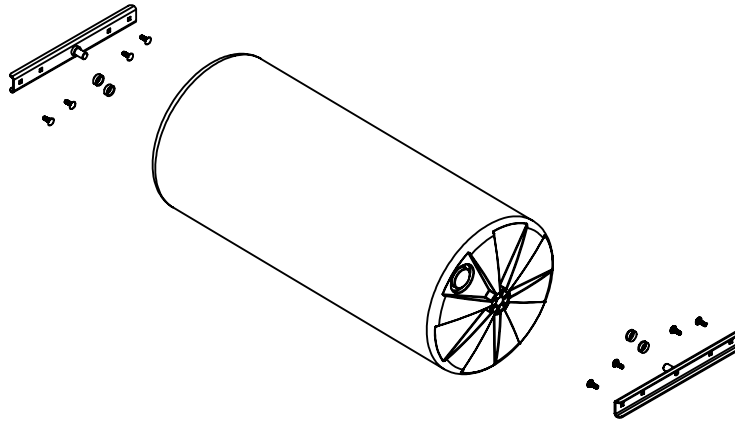


TOOLS REQUIRED FOR ASSEMBLY:

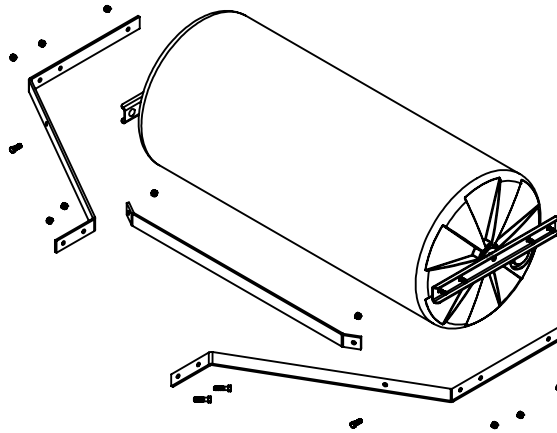
- 9/16" Wrench or Socket
- Pliers

Assembly Instructions

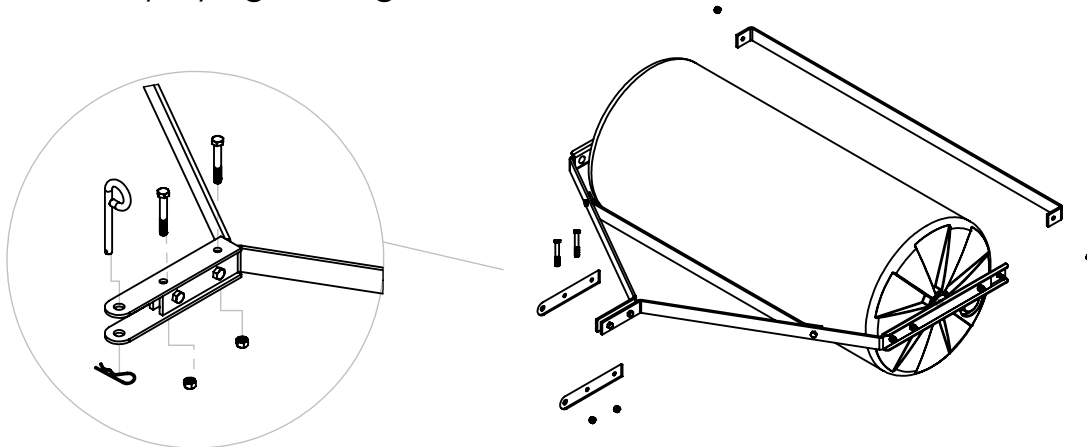
- 1** Insert the carriage bolts and axle spacers as shown and attach side channels on both sides of the poly roller.



- 2** Attach the side bars onto the side channels and loosely tighten hardware as shown. Place support bar in between the side bars and loosely tighten all hardware.



- 3** Attach the rear bar to the side channels and loosely tighten hardware. Add clevis bars on top and bottom of the side bars and loosely tighten. Complete assembly by tightening all hardware.



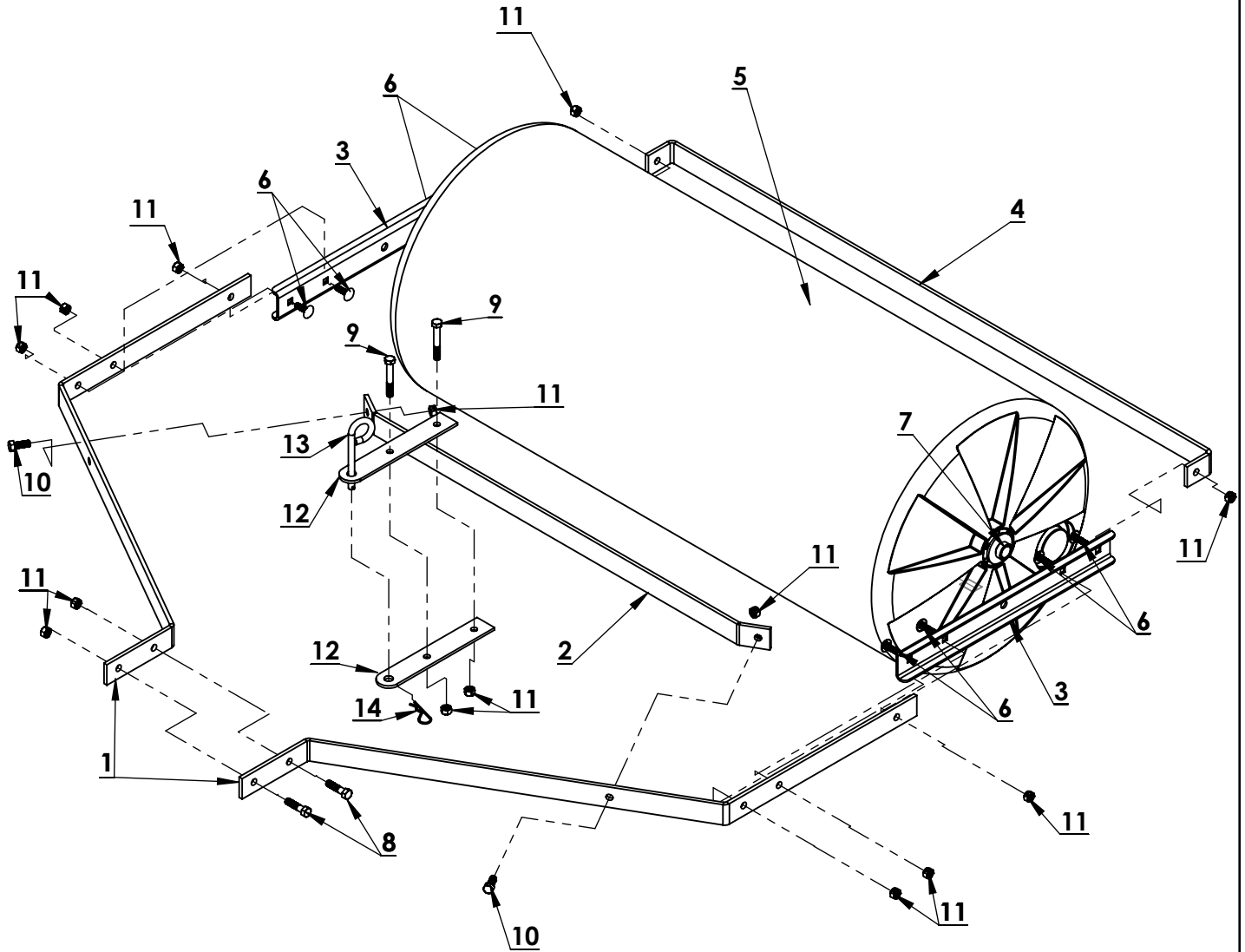
Operating Instructions

Before Using Lawn Roller:

Read all Safety Rules found on page 1.

Though most rollers are filled with water, we recommend adding Ethylene Glycol Anti-Freeze with the water. This will protect the tank from damage during cold weather. If the roller is filled with water only, it must be drained whenever the temperature drops below 32 degrees F. (0 degrees C). The roller weighs approximately 850 pounds when filled.

Repair Parts



ITEM	PART NO	DESCRIPTION	QTY
1	6001680	SIDE BAR	2
2	6001681	SUPPORT BAR	1
3	6001683	SIDE CHANNEL	2
4	6001685	REAR SCRAPER BAR	1
5	6001686	18" X 42" POLY DRUM	1
6	6001687	CARRIAGE BOLT, 3/8"-16 x 1"	8
7	6001688	AXLE SPACER	4
8	6000089	HEX HEAD BOLT, 3/8"-16 x 1-1/2"	2
9	6001284	HEX HEAD BOLT, 3/8"-16 x 2-1/2"	2
10	3000511	HEX HEAD BOLT, 3/8"-16 x 1"	2
11	300061	C-LOCK NUT, 3/8"-16	14
12	404391	CLEVIS BAR	2
13	6000533	HITCH PIN	1
14	300084	HAIRPIN COTTER PIN	1

Notes