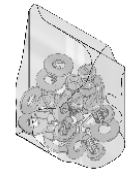
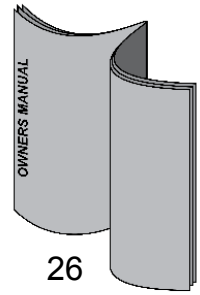
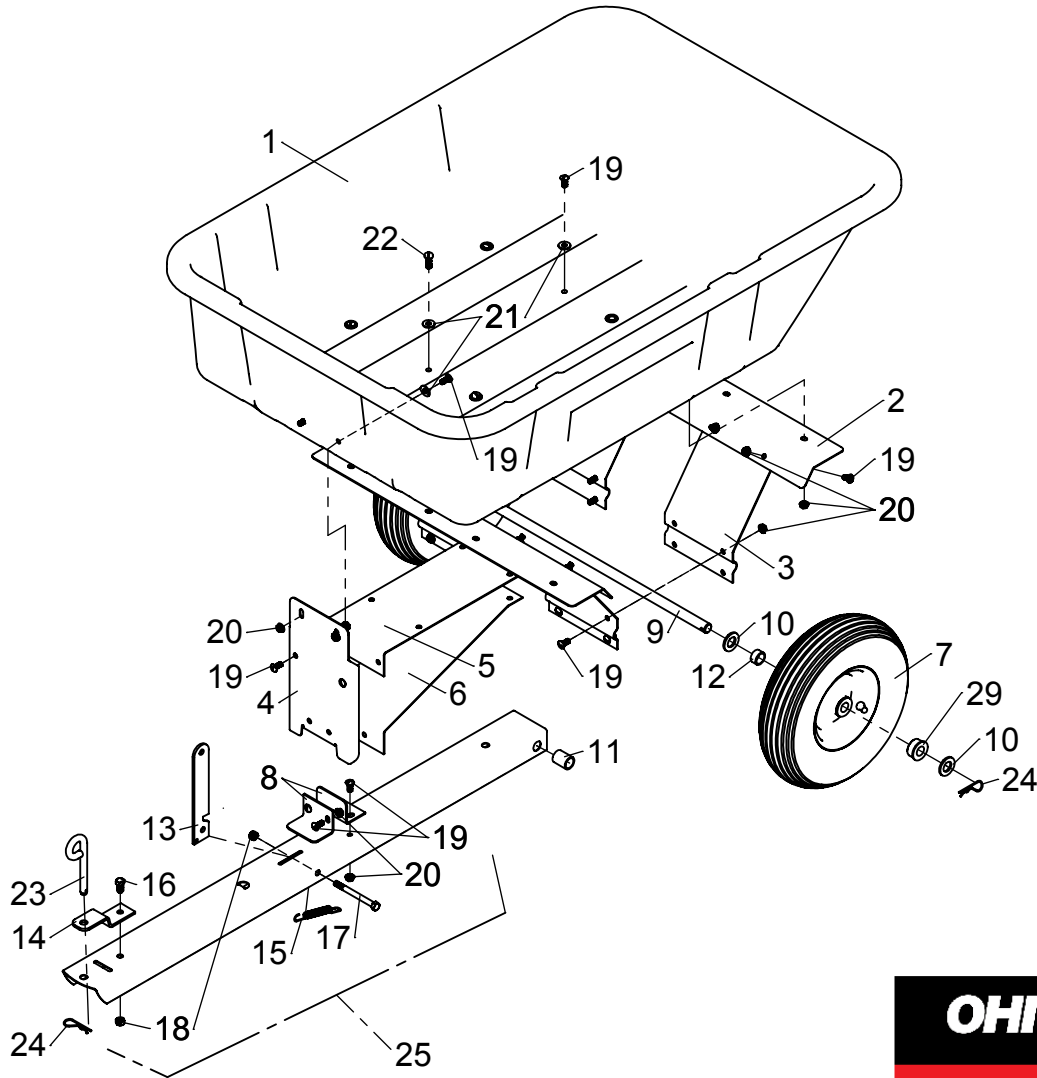


# Repair Parts



28

ITEM	PART NO	DESCRIPTION	QTY	ITEM	PART NO	DESCRIPTION	QTY
1	6000180	CART BODY	1	16	300052	HEX BOLT, 3/8-16 X 3/4"	1
2	6000028	AXLE SUPPORT	2	17	300053	HEX BOLT, 3/8-16 X 4"	1
3	6000029	AXLE HOLDER	4	18	300061	HEX NUT, 3/8-16 C-LOCK	2
4	6000025	FRONT SUPPORT	1	19	300054	5/16-18 X 3/4" SLOTTED TRUSS	32
5	6000022	FRONT SUPPORT BRACE	1	20	6000418	5/16-18 SPINNER GRIP NUT	35
6	6000023	ANGULAR SUPPORT	1	21	3000711	WASHER, 5/16" USS	13
7	6000182	WHEEL (including bushings)	2	22	3000537	5/16-18x1" TRUSS HEAD BOLT	2
8	6000024	LATCH ANGLE	2	23	6000533	PIN, HITCH	1
9	300008	AXLE	1	24	300084	HAIRPIN COTTER PIN	3
10	3000721	WASHER, 3/4" SAE	4	25	6000020	DRAWBAR ASSEMBLY (incl. 13-18)	1
11	6000105	SPACER, 3/4" x 1.25"	2	26	6000181	OWNERS MANUAL	1
12	6000106	SPACER, 3/4" x 0.625"	2	27	6000108	HARDWARE BOLT BAG	1
13	401111	LATCH POST	1	28	300111	DECAL, OSI	2
14	401121	BRACKET, HITCH	1	29	6000812	KIT, 3/4" POLY BUSHINGS (set of 4)	1
15	300131	SPRING, LATCH	1				