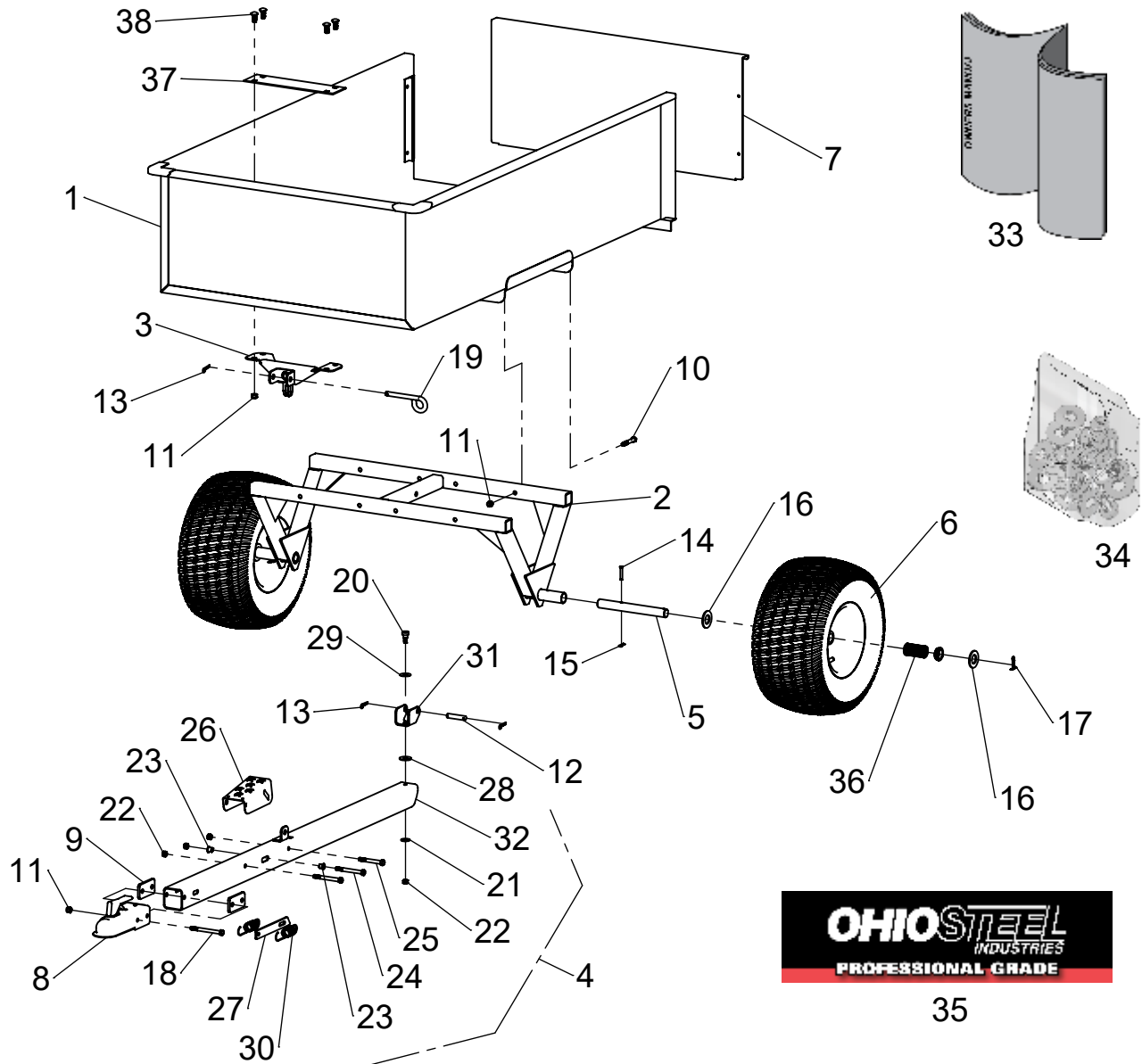


EXPLODED VIEW



| ITEM | PART NO | DESCRIPTION | QTY | ITEM | PART NO | DESCRIPTION | QTY |
|------|---------|----------------------------------|-----|------|---------|----------------------------|-----|
| 1 | 6004183 | BODY, WELDED 3460 | 1 | 20 | 6000369 | SHOULDER BOLT, 1/2" X 3/8" | 1 |
| 2 | 6004193 | UNDERCARRIAGE | 1 | 21 | 3000720 | WASHER, 3/8" USS | 1 |
| 3 | 6004221 | FRONT SUPPORT | 1 | 22 | 300061 | HEX NUT, 3/8-16 C-LOCK | 4 |
| 4 | 6004216 | DRAWBAR ASSEMBLY (incl. 20-32) | 1 | 23 | 6000324 | BEARING | 2 |
| 5 | 6000523 | AXLE, STUB | 2 | 24 | 6000370 | HEX BOLT, 3/8-16 X 3-1/2" | 2 |
| 6 | 6000727 | WHEEL, 18/950-8 X 1" (BLACK) | 2 | 25 | 300055 | HEX BOLT, 3/8-16 X 3" | 1 |
| 7 | 401042 | TAILGATE | 1 | 26 | 6000305 | FOOT PEDAL | 1 |
| 8 | 308301 | COUPLER, 1-7/8" BALL | 1 | 27 | 6000309 | LATCH | 1 |
| 9 | 6004202 | SPACER, BALL HITCH | 2 | 28 | 300075 | WASHER, 1/2" USS | 1 |
| 10 | 6001285 | HEX BOLT 3/8"-16 X 2-1/2" | 8 | 29 | 6000368 | WASHER, SPRING | 1 |
| 11 | 310061 | HEX NUT, 3/8-16 NYLOC | 14 | 30 | 6000325 | SPRING, LATCH | 2 |
| 12 | 6000371 | PIN, 1/2" X 2-13/32" | 1 | 31 | 6000321 | CLEVIS, SWIVEL | 1 |
| 13 | 6000372 | HAIRPIN COTTER, 0.080" X 1-9/16" | 3 | 32 | 6004220 | DRAWBAR | 1 |
| 14 | 3000811 | CLEVIS PIN, 1/4" X 1-1/2" | 2 | 33 | 6004215 | OWNER'S MANUAL | 1 |
| 15 | 3000812 | HAIRPIN COTTER, 0.080" X 1-3/16" | 2 | 34 | 6004227 | HARDWARE BOLT BAG | 1 |
| 16 | 300076 | WASHER, 1" SAE | 4 | 35 | 6000162 | DECAL, OSI PRO | 2 |
| 17 | 300087 | COTTER PIN, 3/16" X 1-1/2" | 2 | 36 | 6000818 | KIT, 1" WHEEL BEARINGS | 1 |
| 18 | 6004260 | HEX BOLT, 3/8-16 X 4" | 2 | 37 | 6004245 | ADAPTER PLATE | 1 |
| 19 | 6000533 | PIN, HITCH | 1 | 38 | 6004259 | CARRIAGE BOLT, 3/8-16 X 1" | 4 |

REPAIR KITS

| KIT | KIT NUMBER | PART NUMBER | PART DESCRIPTION | QTY |
|----------------------|------------|-------------|----------------------------------|-----|
| HARDWARE BOLT BAG | 6004227 | 6004259 | CARRIAGE BOLT, 3/8-16 X 1" | 4 |
| | | 6004202 | SPACER, BALL HITCH | 2 |
| | | 6001285 | HEX BOLT 3/8"-16 X 2-1/2" | 8 |
| | | 310061 | HEX NUT, 3/8-16 NYLOC | 14 |
| | | 6000371 | PIN, 1/2" X 2-13/32" | 1 |
| | | 6000372 | HAIRPIN COTTER, 0.080" X 1-9/16" | 3 |
| | | 3000811 | CLEVIS PIN, 1/4" X 1-1/2" | 2 |
| | | 3000812 | HAIRPIN COTTER, 0.080" X 1-3/16" | 2 |
| | | 300076 | WASHER, 1" SAE | 4 |
| | | 300087 | COTTER PIN, 3/16" X 1-1/2" | 2 |
| | | 6004260 | HEX BOLT, 3/8-16 X 4" | 2 |
| | | 6000533 | PIN, HITCH | 1 |
| 1" WHEEL BEARING KIT | 6000818 | 6000814 | 1" BEARING RETAINER | 4 |
| | | 6000816 | 1" ROLLER BEARING | 2 |
| DRAWBAR ASSEMBLY | 6004216 | 300055 | HEX BOLT, 3/8-16 X 3" | 1 |
| | | 300061 | HEX NUT, 3/8-16 C-LOCK | 4 |
| | | 300075 | WASHER, 1/2" USS | 1 |
| | | 3000720 | WASHER, 3/8" USS | 1 |
| | | 6000305 | FOOT PEDAL | 1 |
| | | 6000309 | LATCH | 1 |
| | | 6000321 | CLEVIS, SWIVEL | 1 |
| | | 6000324 | BEARING | 2 |
| | | 6000325 | SPRING, LATCH | 2 |
| | | 6000368 | WASHER, SPRING | 1 |
| | | 6000369 | SHOULDER BOLT, 1/2" X 3/8" | 1 |
| | | 6000370 | HEX BOLT, 3/8-16 X 3-1/2" | 2 |
| | | 6004220 | WELDED DRAWBAR | 1 |

Before you call...

Please email our customer service team at cs@ohiosteel.com with:

1. A description of the issue you are having
2. Photos of the issue that include an overall view and detailed view from multiple angles
3. If applicable, a short video showing the issue

If you believe this is a warranty related issue please see the warranty page in this manual

Replacement Parts:

If you are ordering replacement part(s) for your product, please note that some parts are only available as a repair kit.

1. First locate the part on the Exploded View page (page 8)
2. Take note of the part number
3. If the part number is on the Repair Kits page, use the kit number to order your replacement parts
4. If the part number is not on the Repair Kits page, use the part number to order your replacement part

You can place your parts order online at ohiosteel.com/partsstore

You can also reach our Customer Service Department at 1-800-652-2321