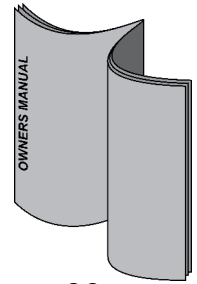


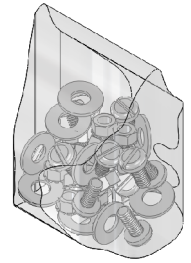
Exploded View



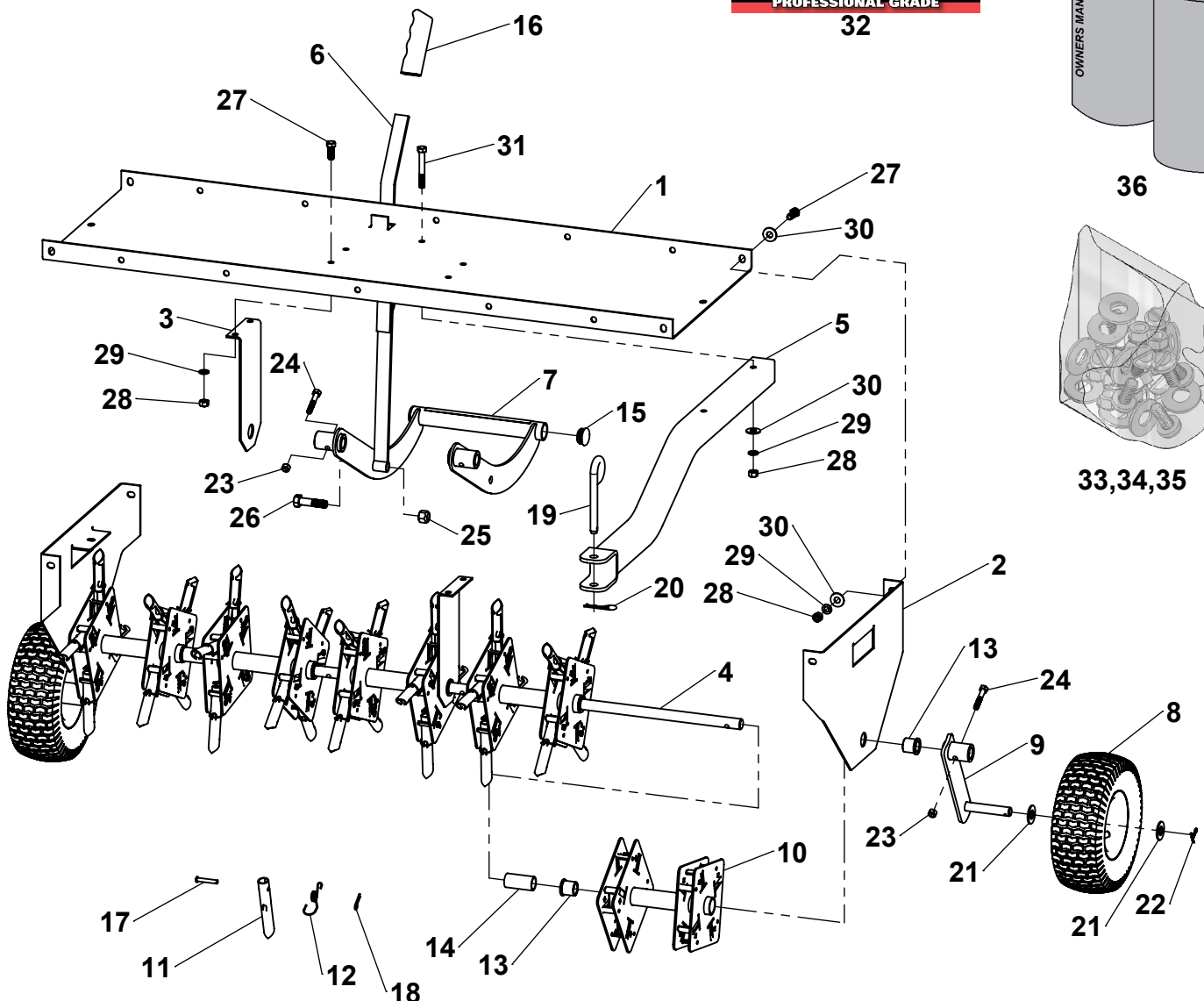
32



36



33,34,35



ITEM	PART NO	DESCRIPTION	QTY	ITEM	PART NO	DESCRIPTION	QTY
1	406474	Top Plate	1	19	6000533	Hitch Pin	1
2	406475	Side Plate	2	20	300084	Hairpin Cotter, 2-5/16"	1
3	406476	Center Plate	2	21	300071	5/8" SAE Flat Washer	4
4	306003	Axle	1	22	300089	Cotter Pin, 1/8" x 1"	2
5	506072	Hitch	1	23	3000616	5/16-18 Nyloc Nut	4
6	506121	Locking Handle	1	24	3000535	5/16-18 x 1-3/4" Hex Bolt, GR 5	4
7	506122	Foot Lever	1	25	3000622	1/2-13 Nyloc Nut	1
8	306012	Wheel	2	26	3000536	1/2-13 x 2" Hex Bolt	1
9	506051	Wheel Bracket	2	27	3000511	3/8-16 x 1" Hex Bolt	10
10	506081	Core Plug Spool	5	28	300069	3/8-16 Hex Nut	12
11	406511	Core Plug Tine	40	29	300078	3/8" Split Lock Washer	12
12	306131	Tine Spring	40	30	3000720	3/8" USS Flat Washer	14
13	300211	Bushing	10	31	3000531	3/8-16 x 2-3/4" Hex Bolt	2
14	3001212	Spacer	2	32	6000162	OSI Pro Decal	2
15	300223	Tube Plug	2	33	306033	Hardware Bag	1
16	300420	Handle Grip	1	34	306034	Spring Bag	1
17	3000811	Clevis Pin, 1/4" x 1-1/2"	40	35	6004181	Tine Repair Kit	1
18	3000812	Hairpin Cotter, 1-3/16"	40	36	6000203	Owner's Manual	1

Repair Kits

KIT	KIT NUMBER	PART NUMBER	PART DESCRIPTION	QTY
Tine Repair Kit	6004181	406511	Core Plug Tine	10
		6000282	Tine Spring	10
		3000811	Clevis Pin, 1/4" x 1-1/2"	10
		3000812	Hairpin Cotter, 1-3/16	10

Before you call...

Please email our customer service team at cs@ohiosteel.com with:

1. A description of the issue you are having
2. Photos of the issue that include an overall view and detailed view from multiple angles
3. If applicable, a short video showing the issue

If you believe this is a warranty related issue please see the warranty page in this manual

Replacement Parts:

If you are ordering replacement part(s) for your product, please note that some parts are only available as a repair kit.

1. First locate the part on the Exploded View page (page 9)
2. Take note of the part number
3. If the part number is on the Repair Kits page, use the kit number to order your replacement parts
4. If the part number is not on the Repair Kits page, use the part number to order your replacement part

You can place your parts order online at ohiosteel.com/partsstore

You can also reach our Customer Service Department at 1-800-652-2321