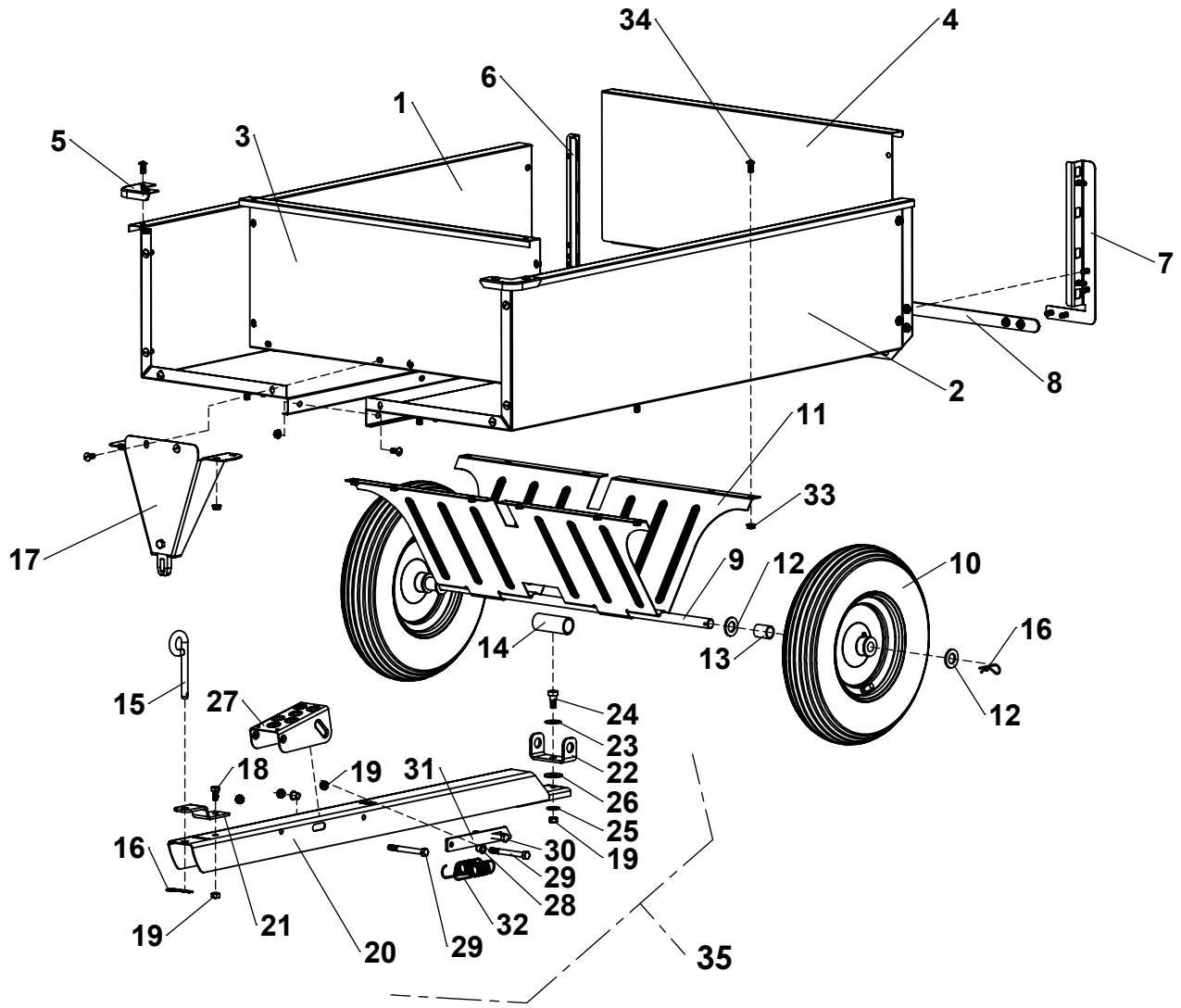


Repair Parts



| ITEM | PART NO | DESCRIPTION | QTY | ITEM | PART NO | DESCRIPTION | QTY |
|------|---------|----------------------------------|-----|------|-----------|------------------------------------|-----|
| 1 | 401011 | BODY HALF, RIGHT | 1 | 19 | 300061 | HEX NUT, 3/8-16 C-LOCK | 6 |
| 2 | 401021 | BODY HALF, LEFT | 1 | 20 | 6000383 | DRAWBAR, FORMED | 1 |
| 3 | 401031 | GATE, FRONT | 1 | 21 | 401121 | BRACKET, HITCH | 1 |
| 4 | 401041 | TAILGATE | 1 | 22 | 6000548 | CLEVIS, SWIVEL | 1 |
| 5 | 401051 | CORNER | 2 | 23 | 6000368 | WASHER, SPRING | 1 |
| 6 | 401071 | RETAINER GATE, RIGHT | 1 | 24 | 6000369 | SHOULDER BOLT, 1/2" X 3/8" | 1 |
| 7 | 401081 | RETAINER GATE, LEFT | 1 | 25 | 3000720 | WASHER, 3/8" USS | 1 |
| 8 | 401131 | BAR SUPPORT, REAR | 1 | 26 | 300075 | WASHER, 1/2" USS | 1 |
| 9 | 300001 | AXLE | 1 | 27 | 6000305 | FOOT PEDAL | 1 |
| 10 | 300011 | WHEEL | 2 | 28 | 6000324 | BEARING | 2 |
| 11 | 401061 | UNDERCARRIAGE | 1 | 29 | 6000370 | HEX BOLT, 3/8-16 X 3-1/2" | 2 |
| 12 | 3000721 | WASHER, 3/4" SAE | 4 | 30 | 300055 | HEX BOLT, 3/8-16 X 3" | 1 |
| 13 | 6000105 | SPACER, SHORT | 2 | 31 | 6000309 | LATCH | 1 |
| 14 | 6000463 | SPACER, LONG | 1 | 32 | 6000325 | SPRING, LATCH | 2 |
| 15 | 6000533 | PIN, HITCH | 1 | 33 | 6000418 | SPINNER GRIP NUT, 5/16-18 | 46 |
| 16 | 300084 | HAIRPIN COTTER, 0.093" X 2-5/16" | 3 | 34 | 300054 | SLOTTED TRUSS BOLT, 5/16-18 X 3/4" | 46 |
| 17 | 6000310 | FRONT SUPPORT | 1 | 35 | 6000665-G | DRAWBAR ASSEMBLY | 1 |
| 18 | 300052 | HEX BOLT, 3/8-16 X 3/4" | 2 | | | | |