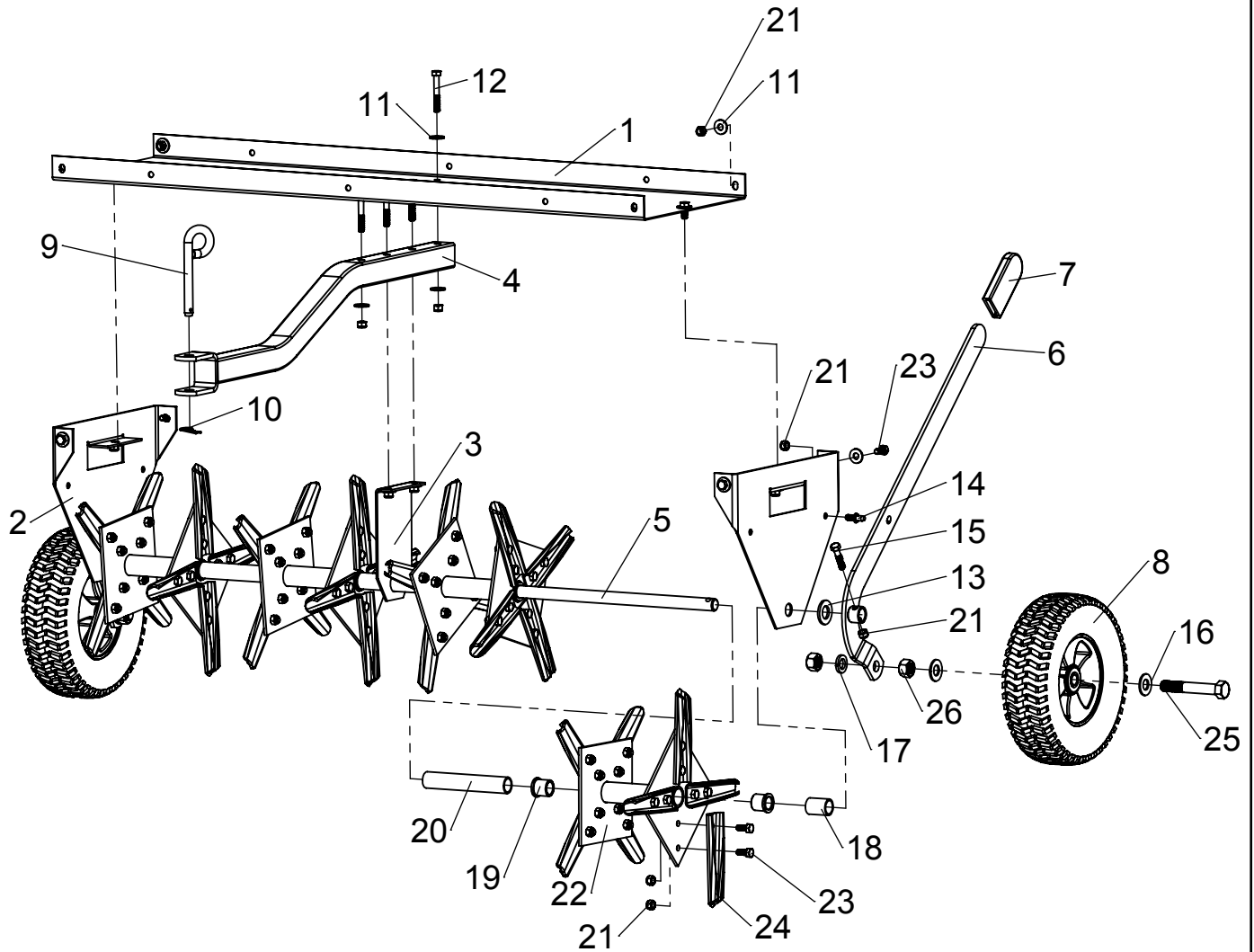


Repair Parts



ITEM	PART NO	DESCRIPTION	QTY	ITEM	PART NO	DESCRIPTION	QTY
1	6000631	PLATE, TOP	1	14	6000737	LOCKING PIN	1
2	6000632	PLATE, SIDE	2	15	6000562	5/16-18x1.50" HEX HEAD BOLT	1
3	6000633	PLATE, CENTER	1	16	300071	WASHER, 5/8" SAE	4
4	6000635-G	DRAWBAR	1	17	6000740	5/8" SPLIT LOCKWASHER	2
5	6000638-G	AXLE	1	18	300126	SPACER, 3/4" X 1.375"	2
6	6000641-G	HANDLE, FORMED	1	19	300211	BEARING	8
7	307201	SLEEVE, HANDLE	1	20	6000647	SPACER, 3/4" X 5.750"	3
8	6000656	WHEEL, 10.5 X 3.5	2	21	3000616	HEX NUT, 5/16-18 NYLOC	76
9	6000533	PIN, HITCH	1	22	6000644	SPOOL, WELDED	4
10	300084	HAIRPIN COTTER, 0.093" X 2-5/16"	1	23	6000440	HEX HEAD BOLT, 5/16"-18 X 3/4"	70
11	3000711	WASHER, 5/16" USS	20	24	6000646	TINE	32
12	6000736	5/16-18x2.25" HEX HEAD BOLT	4	25	6000738	5/8-11 X 4" HEX HEAD BOLT	2
13	3000721	WASHER, 3/4" SAE	2	26	6000739	5/8-11 HEX NUT	4