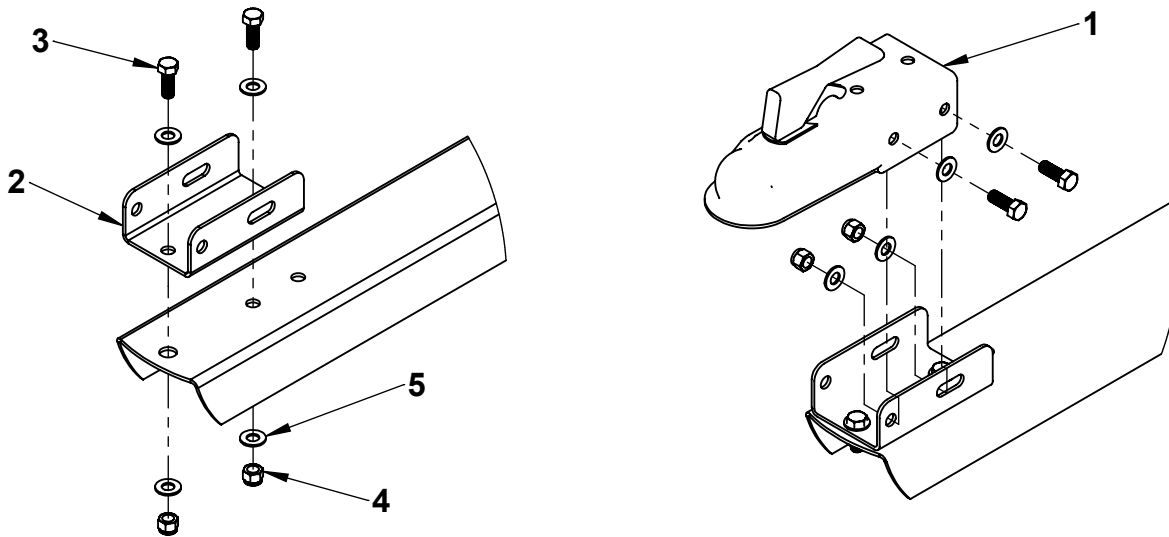


HK178 1-7/8" BALL COUPLER KIT HK200 2" BALL COUPLER KIT HK050 50mm BALL COUPLER KIT

Assembly Instructions:

1. Attach hitch coupler plate to drawbar and tighten hardware as shown.
2. Attach ball coupler to hitch plate on both sides and tighten hardware as shown.



Warranty:

If this product fails due to a defect in material or workmanship within TWO YEARS from the date of purchase, we will at our option repair or replace it free of charge. This warranty does not cover:

- Repairs necessary because of operator abuse or negligence.
- Equipment used for commercial or rental purposes.
- Paint that is worn or faded due to normal use or exposure.

This warranty gives you specific legal rights, and you may also have other rights which may vary from state to state. This warranty applies only while this product is in use in the United States.

After the two year warranty period replacement parts may be ordered by calling **1-800-652-2321**.

ITEM	PART NO	DESCRIPTION	QTY	ITEM	PART NO	DESCRIPTION	QTY
1	308301	COUPLER, 1-7/8" BALL	1	4	3000618	HEX NUT, 3/8-16 NYLOC	6
	6000913	COUPLER, 2" BALL		5	300077	WASHER, 3/8" SAE	12
	6000912	COUPLER, 50mm BALL		6	308041	OWNER'S MANUAL	1
2	421181	PLATE, HITCH COUPLER	1	7	308031	BOLT BAG	1
3	3000511	HEX BOLT, 3/8-16 X 1"	6				