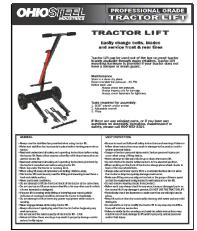
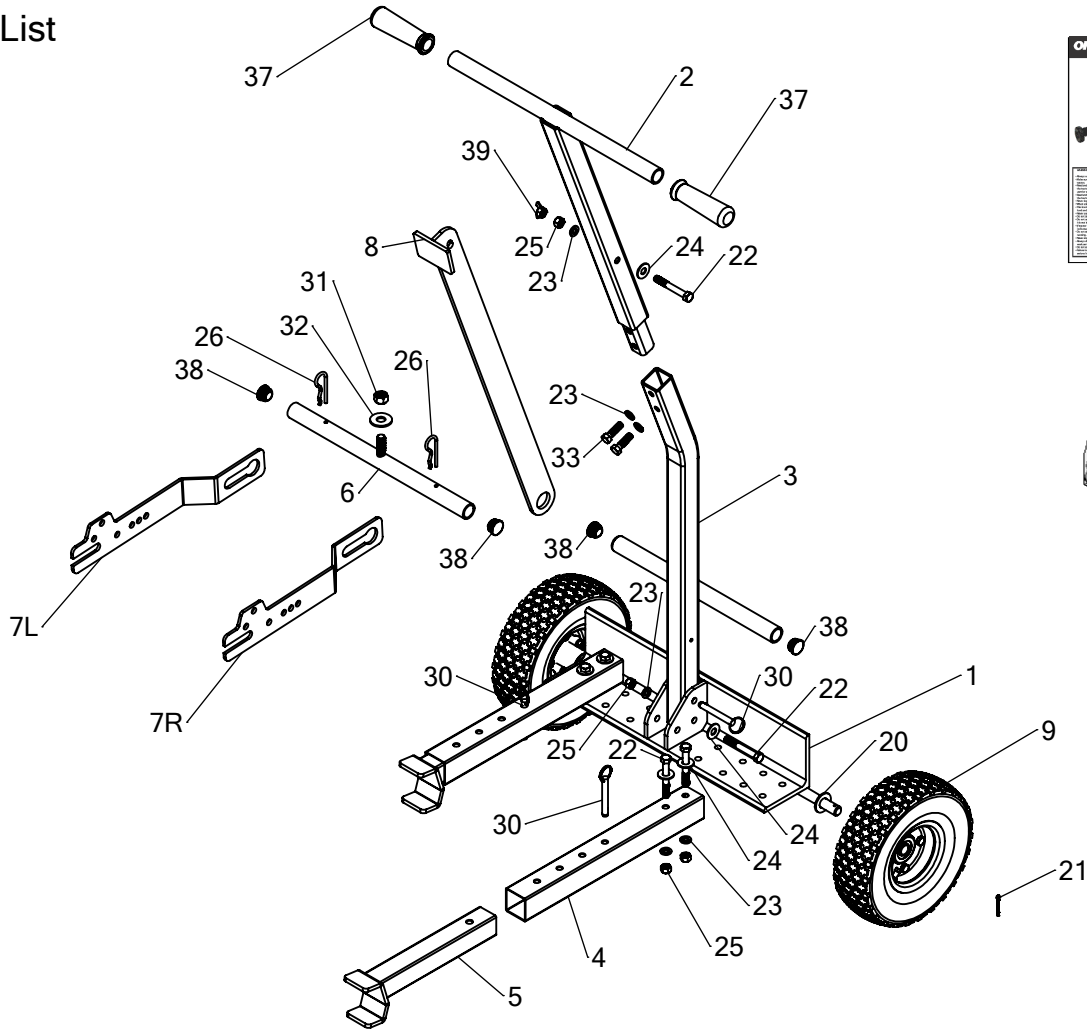


Service Parts List



11



10A



10B

REF. NO.	PART NO.	AMT.	DESCRIPTION	REF. NO.	PART NO.	AMT.	DESCRIPTION
1	510011	1	Angle Frame	24	310073	9	3/8" USS Flat Washer
2	510024	1	Handle Top	25	310062	7	3/8"-16 Hex Nut
3	510032	1	Handle Bottom	26	300082	2	Hair Pin Cotter .148 DIA.
4	410091	2	Receiver Tube	27	310061	4	3/8"-16 Nylok Hex Nut
5	510041	2	Lift Arm Tube	28	310054	2	3/8"-16 x 1-1/2" Self Thread
6	510051	1	Lift Cross Tube	29	310055	6	3/8"-16 x 1-1/4" Hex Bolt
7L	410131	1	Tractor Mtg Bracket - Left	30	310081	3	3/8" x 2-1/8" Ring Grip Pin
7R	410132	1	Tractor Mtg Bracket - Right	31	310063	1	1/2"-13 Hex Nut
8	51006	1	Safety Bar	32	310074	1	1/2" USS Flat Washer
9	310011	2	Tire 4.10/3.50-4	34	3000538	4	1/4"-20 x 3/4" Hex Bolt
10A	310039	1	Hardware Bag #1	35	310065	4	1/4"-20 Nylock Hex Nut
10B	3100310	1	Hardware Bag #2	36	310075	4	1/4" USS Flat Washer
11	310042	1	Assembly Manual	37	310181	2	Vinyl Handle Grip
20	310071	4	5/8" SAE Flat Washer	38	310221	4	Tube Plug RT8-1
21	300081	2	Cotter Pin 1/8" x 1-1/2"	39	310064	1	3/8"-16 Wing Nut
22	310051	6	3/8"-16 x 2-3/4" Hex Bolt				
23	310072	9	3/8" Split Lock Washer				