



**Repair parts must be ordered through Ohio Steel:**

**<https://ohiosteel.com/husqvarna>**

**For a customer service agent call 1-800-652-2321 ext. 212 or email  
Ohio Steel Customer Service at [cs@ohiosteel.com](mailto:cs@ohiosteel.com)**



# **DC 350S**

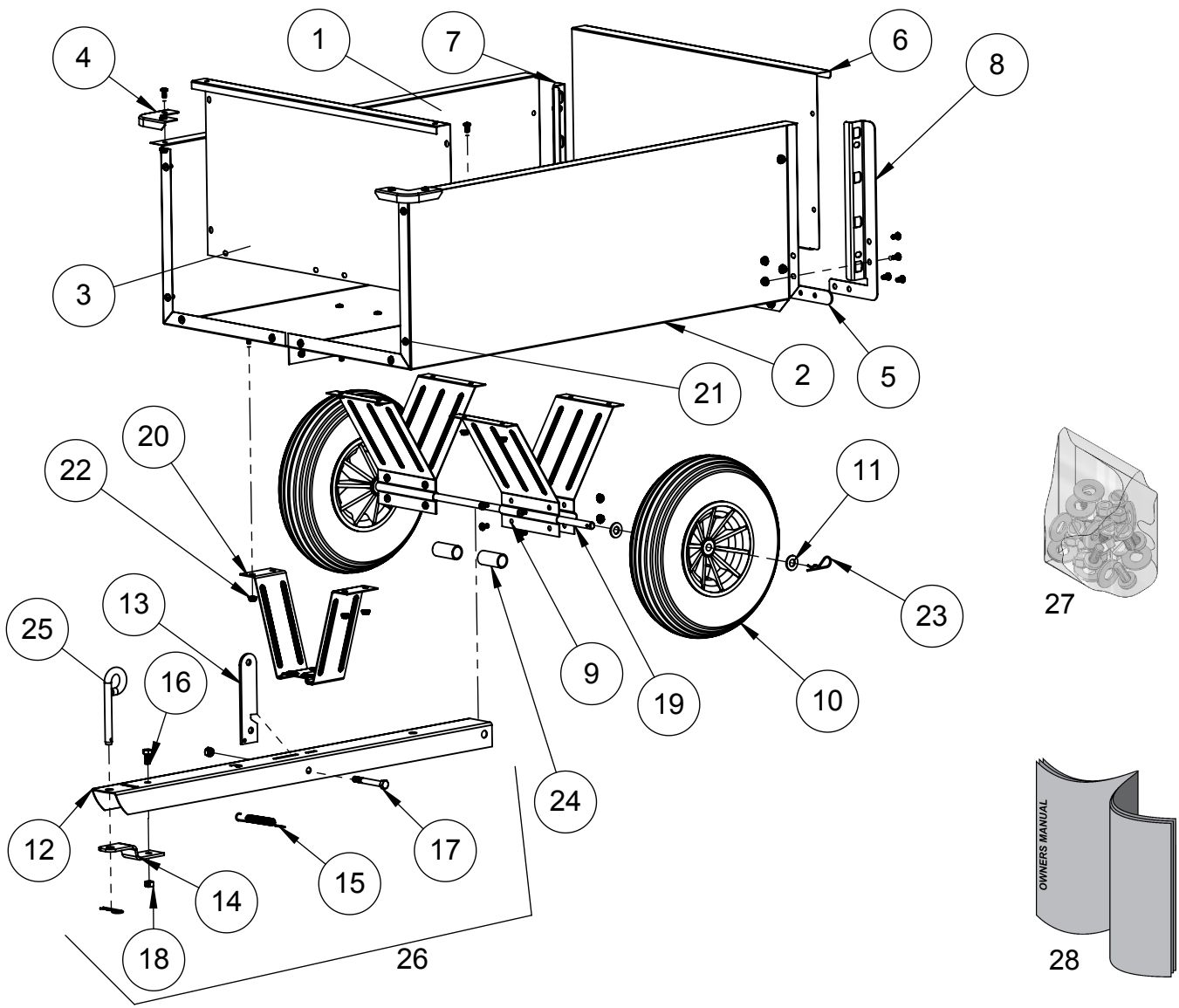
## **Article 588 20 88-03**

### **9 cu ft STEEL DUMP CART**



**READ AND FOLLOW ALL SAFETY RULES AND OPERATING  
INSTRUCTIONS BEFORE USING THIS EQUIPMENT**

# Repair Parts



**Repair parts must be ordered through Ohio Steel:**

<https://ohiosteel.com/husqvarna>

| ITEM | PART NO    | DESCRIPTION           | QTY | ITEM | PART NO    | DESCRIPTION                   | QTY |
|------|------------|-----------------------|-----|------|------------|-------------------------------|-----|
| 1    | 6000949-O  | BODY HALF, RIGHT      | 1   | 15   | 300131     | SPRING, LATCH                 | 1   |
| 2    | 6000948-O  | BODY HALF, LEFT       | 1   | 16   | 300052     | HEX BOLT, 3/8-16 X 3/4"       | 1   |
| 3    | 6000951-O  | GATE, FRONT           | 1   | 17   | 300055     | HEX BOLT, 3/8-16 X 3-1/2"     | 1   |
| 4    | 401051-O   | CORNER GUARD          | 2   | 18   | 300061     | HEX NUT, 3/8-16 C-LOCK        | 2   |
| 5    | 6000954-O  | BAR SUPPORT, REAR     | 1   | 19   | 6000955    | AXLE                          | 1   |
| 6    | 6003352-HG | TAILGATE              | 1   | 20   | 6000950-HG | FRONT SUPPORT                 | 1   |
| 7    | 401071-O   | RETAINER GATE, RIGHT  | 1   | 21   | 6000487    | PAN HEAD BOLT, 1/4-20 X 1/2"  | 50  |
| 8    | 401081-O   | RETAINER GATE, LEFT   | 1   | 22   | 6000961    | SERRATED FLANGE NUT, 1/4-20   | 50  |
| 9    | 6000946-HG | AXLE HOLDER           | 4   | 23   | 300084     | HAIRPIN COTTER                | 3   |
| 10   | 6002416    | WHEEL (INCL BUSHINGS) | 2   | 24   | 3001212    | HDPE SPACER                   | 2   |
| 11   | 6000617    | 1/2" SAE WASHER       | 4   | 25   | 6000533    | PIN, HITCH                    | 1   |
| 12   | 6000947    | DRAWBAR               | 1   | 26   | 6000956-H  | DRAWBAR ASSEMBLY (INCL 12-18) | 1   |
| 13   | 6000953-HG | LATCH POST            | 1   | 27   | 6000957    | HARDWARE BOLT BAG             | 1   |
| 14   | 401121     | BRACKET, HITCH        | 1   | 28   | 6002412    | OWNERS MANUAL                 | 1   |