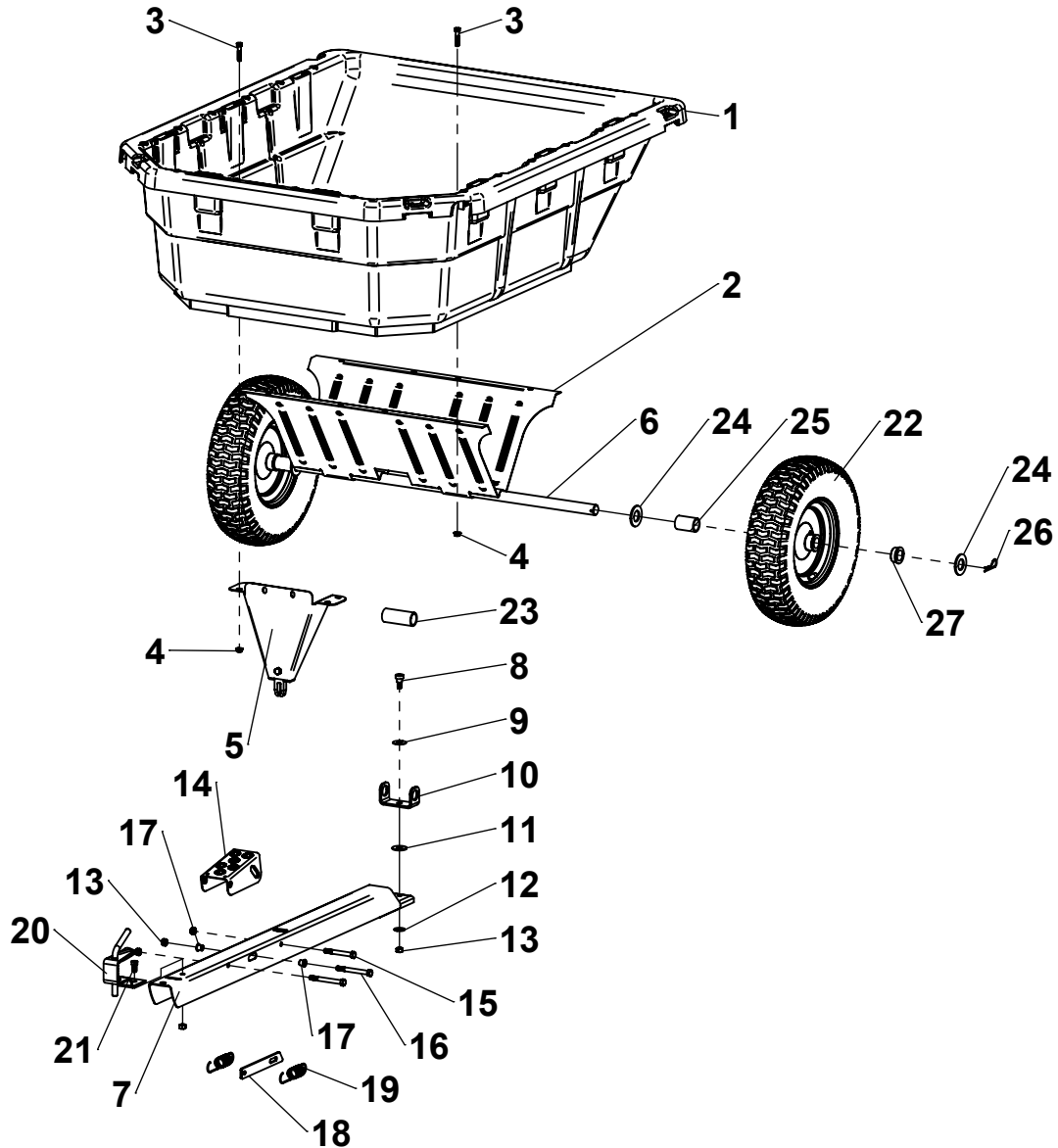


# EXPLODED VIEW



ITEM	PART NO	DESCRIPTION	QTY	ITEM	PART NO	DESCRIPTION	QTY
1	<a href="#">311161</a>	POLY BODY	1	15		3/8-16 x 3" Hex Bolt	1
2	<a href="#">6000404-B2</a>	UNDERCARRIAGE	1	16		3/8-16 x 3-1/2" Hex Bolt	2
3	<a href="#">KIT 6004321</a>	5/16-18 x 1-1/2" Hex Bolt	12	17	<a href="#">KIT 6001663-BG</a>	Bushing	2
4		5/16-18 Flange Lock Nut	12	18		Latch	1
5	<a href="#">6000310-B2</a>	Front Support	1	19		Latch Spring	2
6	<a href="#">300002</a>	Axle	1	20		Spring Loaded Hitch Pin	1
7	<a href="#">KIT 6001663-BG</a>	Welded Drawbar	1	21		3/8-16 x 3/4" Hex Bolt	1
8		Shoulder Bolt	1	22	<a href="#">6002415-1</a>	Wheel (BUSHINGS INC.)	2
9		Spring Washer	1	23		3-1/8" Spacer	1
10		Swivel Clevis	1	24	<a href="#">KIT 6004324</a>	1" SAE Flat Washer	4
11		1/2" USS Washer	1	25		2" Spacer	2
12		3/8" USS Flat Washer	1	26		Hairpin Cotter, 2-5/16"	2
13		3/8-16 C-Lock Nut	5	27	<a href="#">KIT 6000810</a>	REPLACEMENT BUSHINGS (SET OF 4)	-
14		Foot Pedal	1				