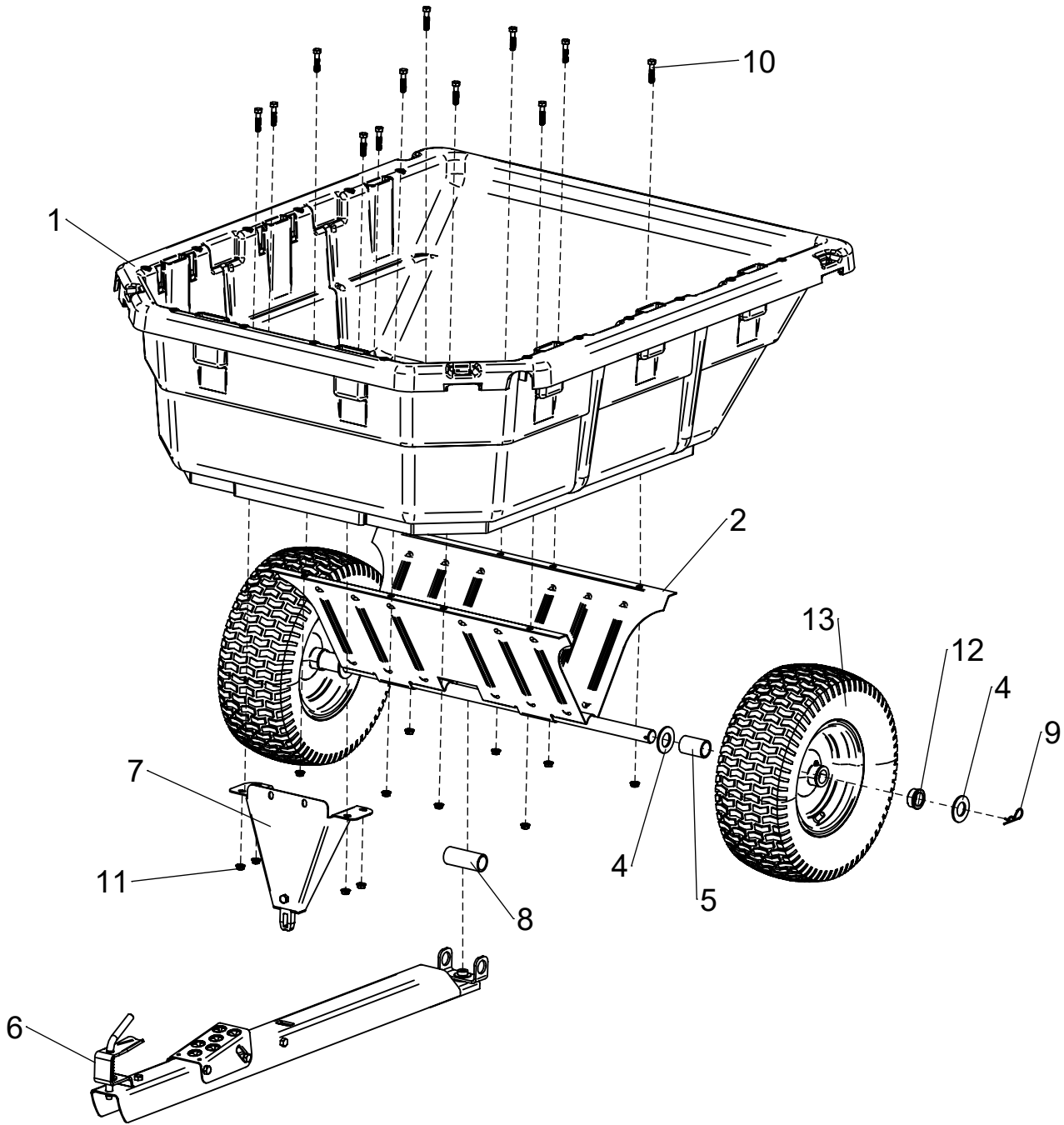


# Repair Parts



ITEM	PART NO.	DESCRIPTION	QTY	ITEM	PART NO.	DESCRIPTION	QTY
1	<a href="#">311161</a>	BODY, STRUCTURAL FOAM, 4048P	1	8	<a href="#">6000463</a>	SPACER, 1 x 3.125"	1
2	<a href="#">6000404-O1</a>	UNDERCARRIAGE, 27" X 1" (HQ ORANGE)	1	9	<a href="#">300084-ZC</a>	COTTER HAIRPIN, 3/32" X 2-5/16" (ZINC)	2
3	<a href="#">300002</a>	AXLE, 1" X 33.875"	1	10	<a href="#">3000528-ZB</a>	HEX BOLT, 5/16-18 X 1-1/2" (BLACK)	12
4	<a href="#">300076-ZC</a>	WASHER, 1" SAE (ZINC)	4	11	<a href="#">6000418-ZB</a>	SPINNER GRIP NUT, 5/16-18 (BLACK)	12
5	<a href="#">6000382</a>	SPACER, 1" X 2.000"	2	12	<a href="#">6000808</a>	BUSHING, WHEEL, 1"	1
6	<a href="#">6001663-OG</a>	DRAWBAR ASSEMBLY (HQ ORANGE/HQ SILVER)	1	13	<a href="#">6001744</a>	WHEEL, 16X6.5-8 X 1" (SILVER)	2
7	<a href="#">6000310-O1</a>	SUPPORT, FRONT, SD (HQ ORANGE)	1				