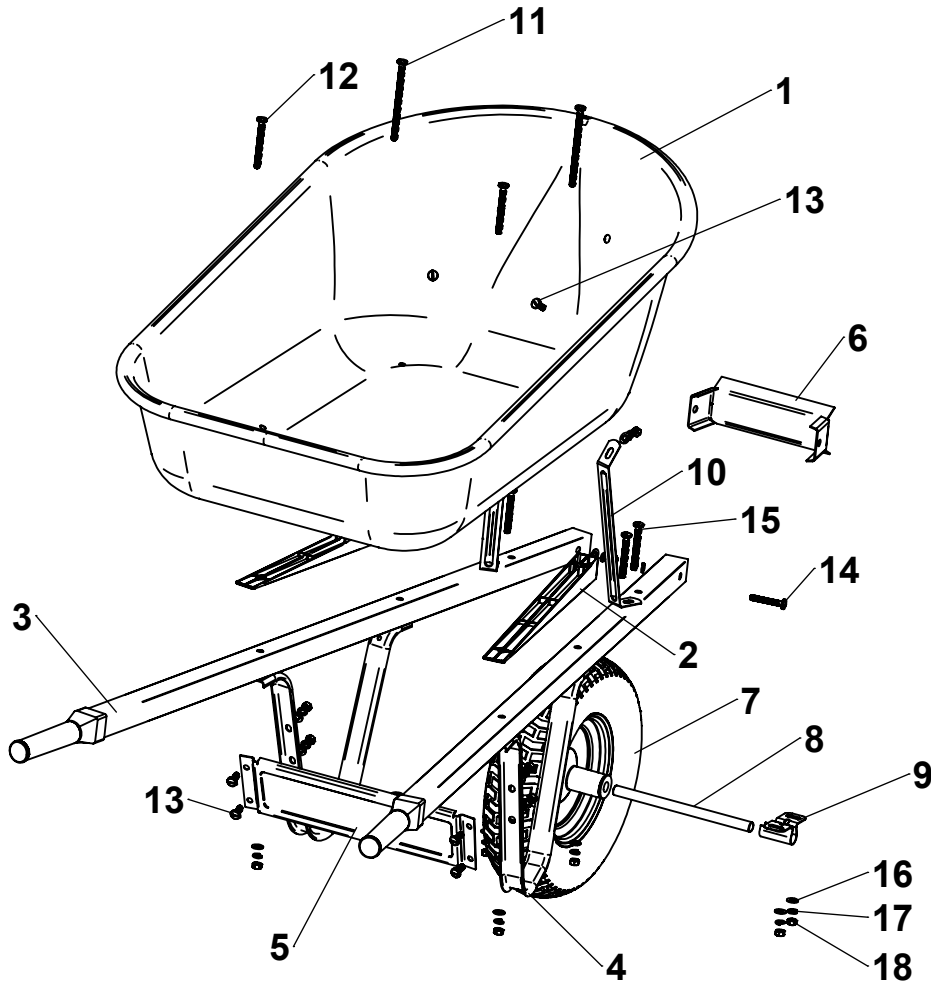


EXPLODED VIEW



ITEM NO.	PART NUMBER	DESCRIPTION	QTY.
1	6005804-B2	BODY, STEEL, 6SWB350 (BLACK)	1
2	6005799	BODY, SHIM, WB	2
3	6005888	ASSEMBLY, WHEELBARROWS, HANDLE	2
4	6005800-B1	LEG, FORMED, WB (BLACK)	2
5	6005802-B1	PLATE, FORMED, WB (BLACK)	1
6	6005789-B1	BRACKET, DUMP POINT, WB (BLACK)	1
7	6005796	WHEEL, 4.80-8 X 3/4" (SILVER)	1
8	6005806	AXLE, 5/8" X 9-5/8"	1
9	6005805-B1	RETAINER, AXLE, 5/8" (BLACK)	2
10	6005807-B1	SUPPORT, BODY, WB (BLACK)	2
11	6006082-ZC	BOLT, PAN, 5/16"-18 X 5-1/8" (ZINC)	2
12	6006083-ZC	BOLT, PAN, 5/16"-18 X 3-1/8" (ZINC)	2
13	6006086-ZC	BOLT, PAN, 5/16"-18 X 3/4" (ZINC)	6
14	6006085-ZC	BOLT, PAN, 5/16"-18 X 2-1/8" (ZINC)	2
15	6006084-ZC	BOLT, PAN, 5/16"-18 X 2-3/4" (ZINC)	4
16	6006088-ZC	WASHER, 5/16" (ZINC)	16
17	6006089-ZC	WASHER, SPLIT, 5/16" (ZINC)	16
18	6006090-ZC	NUT, HEX, 5/16"-18 (ZINC)	16